



SL270T-14LB
7' W x 14' L Tandem Axle Dump Trailer
Double Door Tailgate



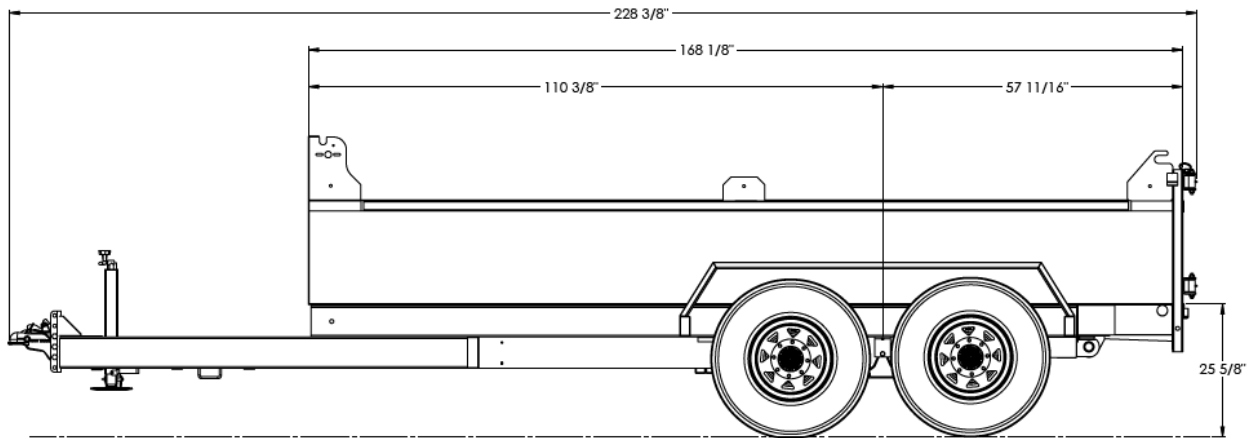
Standard Features:

- | | |
|---------------------------------|---|
| 14' Box Length | Aluminum Tool Box |
| 7' Box Width | Breakaway Kit |
| 8' 5" Overall Width | Protected Wiring |
| 12 GA Floor | LED Lighting Package |
| Heavy Duty Steel Ramps | Fully Enclosed Wiring |
| Spare Tire Carrier | Bolt-on Safety chains & Hooks |
| Welded Fenders | Lippert Brand Axles |
| Stake Pockets & Rub Rails | Radial 10 Ply Tires |
| Tarp | Steel Component cleaned with Steel Shot Blast |
| Slam Lock, Double Door Tailgate | PPG Paint with Two Way Hardener |

Specs

Coupler	2 5/16"	Hoist	8 Ton Double Acting Hydraulic Underbody Hoist
Safety Chains	16,200# 3/8" x 35" w/Clevis Slip Hook	Axle	(2) 7000# w/ Electric Brakes
Tongue	6" x 2" HSS Tube	Suspension	Multi-Leaf Sprng w/ Equalizer
Frame	6" x 2" HSS Tube	Tires	ST235/80R16 E
Crossmember	N/A	Rims	16 x 6; Steel 8 Bolt
Fenders	75.75" x 9.5" x 10.25", 14 GA Checkerplate	Brakes	Electric
Floor	12 GA Steel Sheet	Net Weight	2,998 lbs.
Lights	L.E.D. DOT Stop, Tail, Turn, & Clearance	GAWR (Ea. Axle)	7,000 lbs.
Electric Plug	7 Wire RV Plug	GVWR (lbs.)	15,400 lbs.
Jack	5000# Topwind		

Dimensions	
Back of Trailer to Center Axle	57 11/16"
Front of Trailer to Center Axle	110 3/8"
Box L x W	168 1/8" x 84"
Box Floor Height	25 5/8"
Total Length of Trailer	228 3/8"



Standard Parts	
Part# 63208 – AXLE 70-865E 93.0" X 79.0" STR EYE TO EYE U/S	Part# 2440 – LIGHT LICENSE PLATE SURFACE MOUNT MINI CHROME - LED
Part# 51105 – JUNC BOX AND 6FT LEAD PACKAGE	Part#2380 – LIGHT STOP TURN TAIL RED 12.625" X 1.5" STRIP SURFACE MOUNT LED
Part# 1879 – BREAKAWAY SWITCH C/W PULL PIN	Part#87997 – TOOLBOX ALUMINUM TRAILER TONGUE STYLE W/ GAS SHOCK
Part# 63022 – COUPLER CHANNEL MOUNT 14000# 2.3125" - W/ 6 HOLE CHANNEL & HARDWARE	Part#4997 – ECONO RAMP – STEEL 6FT HEAVY DUTY - BLACK
Part# 1796 – FENDER TANDEM STEEL 75.75" X 9.5" X 10.25" - 14 GA CHECKERPLATE	Part#51120 – HYDRAULIC POWER UNIT 12V ELECTRIC DOUBLE ACTING
Part# 67360 – JACK TOPWIND 5000# WELD-ON 15.0" LIFT DROP LEG SQUARE	Part# 75476 – TARP 6.0' X 14.0' C/W HARDWARE KIT
Part# 1329 – LIGHT CLEARANCE AMBER 0.6875" ROUND LED W/ GROMMET	Part# 51585 – TIRE ASSEMBLY 235/80R16 E 10 PLY 8 HOLE BLACK
Part#1332 – LIGHT CLEARANCE RED 0.6875" ROUND LED W/ GROMMET	

Specs are subject to change without notice. Please contact Southland Trailer Corp Product Specialist for price confirmation on all Royal Cargo Products.
Revised March 2020

