



SL280THD-14LB
7' W x 14' L Tandem Axle Dump Trailer
3-Way Tailgate



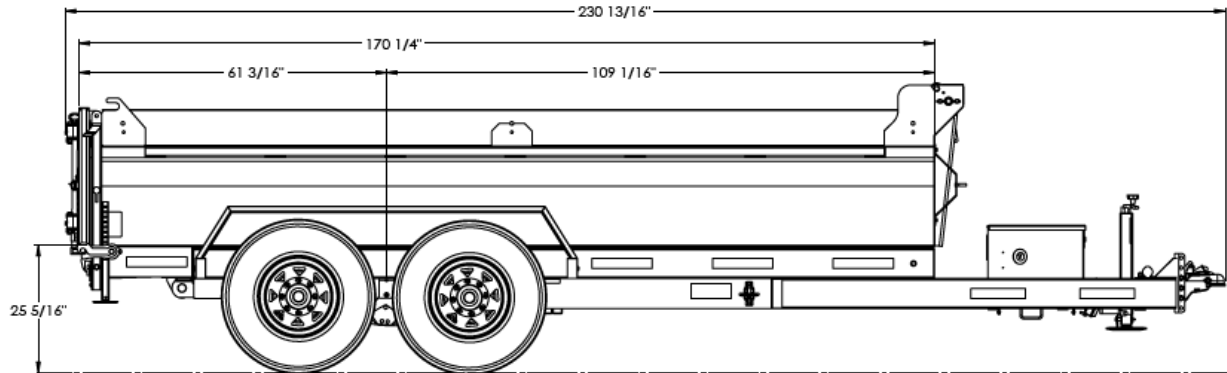
Standard Features:

14' Box Length	Aluminum Tool Box
7' Box Width	Breakaway Kit
8' 5" Overall Width	Protected Wiring
12 GA Floor	LED Lighting Package
Aluminum Slide In Ramps	Fully Enclosed Wiring
Spare Tire Carrier	Bolt-on Safety chains & Hooks
Welded Fenders	Lippert Brand Axles
Stake Pockets & Rub Rails	Radial 12 Ply Tires
Tarp	Steel Component cleaned with Steel Shot Blast
Slam Lock, 3-Way Tailgate	PPG Paint with Two Way Hardener
12,000# Hydraulic Jack	

Specs

Coupler	2 5/16"	Hoist	13 Ton Double Acting Hydraulic Underbody Hoist
Safety Chains	16,200# 3/8" x 35" w/Clevis Slip Hook	Axle	(2) 8000# w/ Electric Brakes
Tongue	6" x 2" HSS Tube	Suspension	Multi-Leaf Spring w/ Equalizer
Frame	6" x 2" HSS Tube	Tires	ST235/85R16 F
Crossmember	N/A	Rims	16 x 6; Steel 8 Bolt
Fenders	75.875" x 9" x 10", 14 GA Checkerplate	Brakes	Electric
Floor	12 GA Steel Sheet	Net Weight	3,791 lbs.
Lights	L.E.D. DOT Stop, Tail, Turn, & Clearance	GAWR (Ea. Axle)	8,000 lbs.
Electric Plug	7 Wire RV Plug	GVWR (lbs.)	17,600 lbs.
Jack	12,000# Hydraulic		

Dimensions	
Back of Trailer to Center Axle	61 3/16"
Front of Trailer to Center Axle	109 1/16"
Box L x W	170 1/4" x 84"
Box Floor Height	25 5/16"
Total Length of Trailer	230 13/16"



Standard Parts	
Part# 2028 – AXLE 80-865E 93.0" X 79.0" STR EYE TO EYE U/S	Part# 2440 – LIGHT LICENSE PLATE SURFACE MOUNT MINI CHROME - LED
Part# 51105 – JUNC BOX AND 6FT LEAD PACKAGE	Part#57637 – LIGHT STOP TURN TAIL RED 6.5" X 2.5" OVAL LED – 10 DIODE
Part# 1879 – BREAKAWAY SWITCH C/W PULL PIN	Part#87997 – TOOLBOX ALUMINUM TRAILER TONGUE STYLE W/ GAS SHOCK
Part# 843 – COUPLER CHANNEL MOUNT 22,000# 2.3125" - W/ 6 HOLE CHANNEL & HARDWARE	Part#76835REV1 – RAMP ALUMINUM 6FT CHANNEL SLIDE UNDER
Part# 77748 – FENDER TANDEM STEEL 75.875" X 9" X 10" - 14 GA CHECKERPLATE	Part#51126 – HYDRAULIC POWER UNIT 12V ELECTRIC DUAL DOUBLE ACTING
Part# 4375 – SL280 HYD JACK PACKAGE	Part# 71384 – TARP 6.5' X 18.0' C/W HARDWARE KIT
Part# 1329 – LIGHT CLEARANCE AMBER 0.6875" ROUND LED W/ GROMMET	Part# 55691 – TIRE ASSEMBLY 235/85R16 F 12 PLY 8 HOLE BLACK (5/8" STUDS) #3960
Part#1332 – LIGHT CLEARANCE RED 0.6875" ROUND LED W/ GROMMET	

Specs are subject to change without notice. Please contact Southland Trailer Corp Product Specialist for price confirmation on all Royal Cargo Products.
Revised March 2020

