



CARGO TRAILERS

^ WARNING

This User's Manual contains safety information and instructions for your trailer.

You must read this manual before loading or towing your trailer.

You must follow all safety precautions and instructions.

Southland Trailer Corp.

(403) 327-8212 Phone

(403) 327-8256 Facsimile

Table of Contents
CARGO TRAILERS

1. SAFETY INFORMATION	1
1.1. SAFETY ALERT SYMBOLS AND SIGNAL WORDS.....	1
1.2. MAJOR HAZARDS	1
1.2.1. DRIVING TOO FAST.....	1
1.2.2. FAILURE TO ADJUST HANDLING WHILE TOWING A TRAILER	1
1.2.3. TRAILER NOT PROPERLY COUPLED TO THE HITCH.....	2
1.2.4. INCORRECT USE OF SAFETY CHAINS	2
1.2.5. INCORRECT USE OF BREAKAWAY BRAKE	2
1.2.6. MISMATCH OF TRAILER AND HITCH.....	3
1.2.7. UNSAFE TIRES, LUG NUTS OR WHEELS.....	3
1.2.8. OVERLOAD.....	4
1.2.9. UNSAFE LOAD DISTRIBUTION	4
1.2.10. SHIFTING CARGO	4
1.2.11. INAPPROPRIATE CARGO.....	5
1.2.12. INOPERABLE BRAKES, LIGHTS OR MIRRORS	5
1.2.13. HAZARDS FROM MODIFYING YOUR TRAILER	6
1.2.14. REPORTING SAFETY DEFECTS	6
1.2.15. SAFETY WARNING LABELS ON YOUR TRAILER	7
2. COUPLING TO THE TOW VEHICLE.....	8
2.1. USE AN ADEQUATE TOW VEHICLE AND HITCH	8
2.1.1. TRAILER INFORMATION	8
2.2. COUPLING AND UNCOUPLING THE TRAILER.....	9
2.2.1. TRAILER WITH BALL-HITCH COUPLER.....	10
2.2.1.1. Before coupling the trailer to the tow vehicle	10
2.2.1.2. Prepare the coupler and hitch	11
2.2.1.3. Couple the trailer to the tow vehicle.....	11
2.2.1.4. Rig the safety chains.....	11
2.2.1.5. Attach and test electric breakaway brake system	12
2.2.1.6. Connect the electrical cables	13
2.2.1.7. Uncoupling the Ball Hitch Trailer with Tongue Jack.....	13
2.2.2. TRAILER WITH GOOSENECK COUPLER AND DROP-LEG JACK	13
2.2.2.1. Prepare the ball receiver and gooseneck ball	15
2.2.2.2. Couple the trailer to the tow vehicle.....	15
2.2.2.3. Rig the safety chains.....	16
2.2.2.4. Attach and test the breakaway brake system.....	16
2.2.2.5. Connect the electrical cables	16
2.2.2.6. Uncoupling the Gooseneck Trailer with Drop-leg Jack	17
2.2.3. TRAILER WITH FIFTH-WHEEL COUPLER AND DROP-LEG JACK	17
2.2.3.1. Before attempting to tow the trailer.....	18
2.2.3.2. Attach and test the breakaway brake system.....	19
2.2.3.3. Connect the electrical cables	19
2.2.3.4. Uncoupling the Fifth-Wheel Trailer with Drop-leg Jack	19
3. LOADING THE TRAILER	20
3.1. SECURING THE CARGO	21
3.1.1. LOADING CARGO	21
3.1.1.1. Preparing the Trailer for Loading.....	21
3.1.1.2. Loading the Enclosed Trailer	22
4. CHECKING THE TRAILER BEFORE AND DURING EACH TOW.....	23
4.1. PRE-TOW CHECKLIST	23
4.2. MAKE REGULAR STOPS.....	23
5. BREAKING-IN A NEW TRAILER.....	24

Table of Contents
CARGO TRAILERS

5.1. RETIGHTEN LUG NUTS AT FIRST 25, 50 AND 100 KILOMETERS (15, 30, 60 MILES)	24
5.2. ADJUST BRAKE SHOES AT FIRST 300 KILOMETERS (180 MILES)	24
5.3. SYNCHRONIZING THE BRAKE SYSTEMS	24
<u>6. INSPECTION SERVICE & MAINTENANCE</u>	<u>25</u>
6.1. INSPECTION, SERVICE & MAINTENANCE SUMMARY CHARTS	25
6.2. INSPECTION AND SERVICE INSTRUCTIONS	28
6.2.1. AXLE BOLTS, FRAME, SUSPENSION, & STRUCTURE	28
6.2.2. TRAILER STRUCTURE	28
6.2.2.1. Fasteners and Frame Members.....	28
6.2.2.2. Welds.....	28
6.2.3. DROP RAMP TORSION SPRINGS	29
6.2.4. TRAILER BRAKES	29
6.2.4.1. Brake Shoes and Drums	29
6.2.4.2. Manually Adjusting Brake Shoes.....	29
6.2.4.3. Brakes, Electric	29
6.2.5. TRAILER CONNECTION TO TOW VEHICLE	30
6.2.5.1. Coupler and Ball	30
6.2.5.2. Gooseneck	30
6.2.5.3. Fifth Wheel Kingpin	30
6.2.6. LANDING LEG OR JACK	31
6.2.7. LIGHTS AND SIGNALS	31
6.2.8. TIRES	31
6.2.9. WHEEL RIMS.....	31
6.2.10. WHEELS, BEARINGS AND LUG NUTS.....	31
6.2.10.1. Unsealed Bearings (Hubs).....	31
6.2.11. CLEANING.....	32
6.2.12. LUG NUTS (BOLTS).....	32

1. SAFETY INFORMATION

1.1. SAFETY ALERT SYMBOLS AND SIGNAL WORDS

Loss of control of the trailer or trailer/tow vehicle combination can result in death or serious injury. The most common causes for loss of control of the trailer are:

- ◆ Driving too fast for the conditions (maximum speed when towing a trailer is 100 km/h [60 mph]);
- ◆ Overloading the trailer or loading the trailer unevenly;
- ◆ Trailer improperly coupled to the hitch;
- ◆ Inadequate tow vehicle or towing hitch;
- ◆ No braking on trailer;
- ◆ Not maintaining proper tire pressure;
- ◆ Not keeping lug nuts tight; and
- ◆ Not properly maintaining the trailer structure.

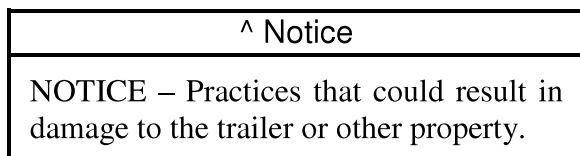
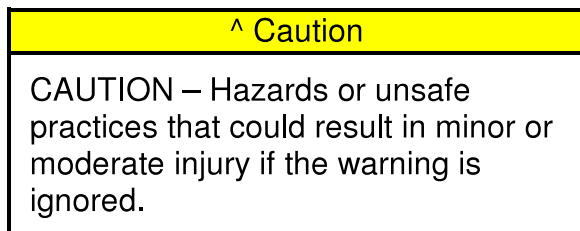
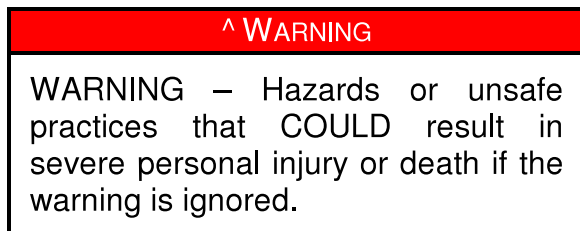
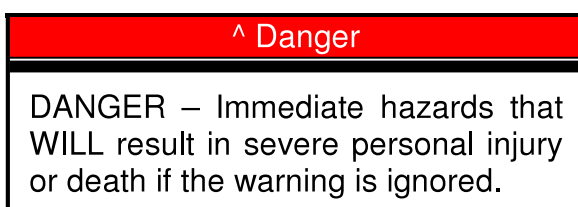
An owner's manual that provides general trailer information cannot cover all of the specific details necessary for the proper combination of every trailer, tow vehicle and hitch. Therefore, you must read, understand and follow the instructions given by the tow vehicle and trailer hitch manufacturers, as well as the instructions in this manual.

Trailer Components

Our trailers are built with components produced by various manufacturers. Some of these items have separate instruction manuals. Where this manual indicates that you should read another manual, and you do not have that manual, call Southland Trailer Corp. at (403) 327-8212 for a free copy.

The safety information in this manual is denoted by the safety alert symbol: ^

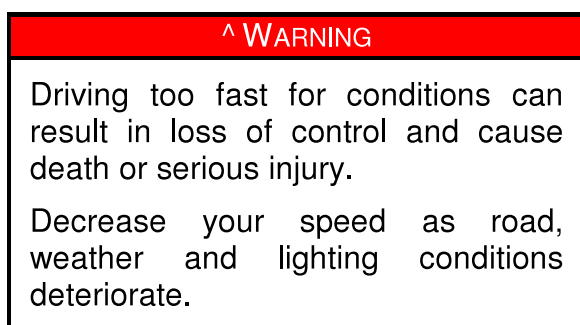
The level of risk is indicated by the following signal words.



1.2. MAJOR HAZARDS

1.2.1. Driving Too Fast

With ideal road conditions, the maximum speed when safely towing a trailer is 100 km/h (60 mph). If you drive too fast, the trailer tires will overheat and possibly blowout. As your speed increases, you are more likely to suddenly lose control. Never exceed 100 km/h (60 mph) while towing the trailer.



1.2.2. Failure to Adjust Handling While Towing a Trailer

When towing a trailer, you will have decreased acceleration, increased stopping distance, and increased turning radius (which means you must make wider turns to keep from hitting curbs, vehicles, and anything else that is on the inside corner). In addition, you will need a longer distance to pass, due to slower acceleration and increased length.

- ◆ Be alert for slippery conditions. You are more likely to be affected by slippery road surfaces when driving a tow vehicle

Safety Information

with a trailer, than driving a tow vehicle without a trailer.

- ◆ Anticipate the trailer “swaying.” Swaying is the trailer reaction to the air pressure wave caused by passing trucks and busses. Continued pulling of the trailer provides a stabilizing force to correct swaying. Do not apply the brakes to correct trailer swaying.
- ◆ Check rearview mirrors frequently to observe the trailer and traffic.
- ◆ Use lower gear when driving down steep or long grades. Use the engine and transmission as a brake. Do not ride the brakes, as they can overheat and become ineffective.
- ◆ Be aware of your trailer height and width, especially when approaching roofed areas and around trees.

1.2.3. Trailer Not Properly Coupled to the Hitch

It is critical that the trailer be securely coupled to the hitch, and that the safety chains are correctly attached. Uncoupling may result in death or serious injury.

^ WARNING

Proper selection and condition of the coupler and hitch are essential to safely towing your trailer. A loss of coupling may result in death or serious injury.

- Be sure the hitch load rating is equal to or greater than the load rating of the coupler.
- Be sure the hitch size matches the coupler size
- Observe the hitch for wear, corrosion and cracks before coupling. Replace worn, corroded or cracked hitch components before coupling the trailer to the tow vehicle.
- Be sure the hitch components are tight before coupling the trailer to the tow vehicle.

^ WARNING

An improperly coupled trailer can result in death or serious injury.

Do not move the trailer until:

- The coupler is secured and locked to hitch;
- The safety chains are secured to the tow vehicle; and
- The trailer jack(s) are fully retracted.

Do not tow the trailer on the road until:

- Tires and wheels are checked;
- The trailer brakes are checked;
- The breakaway switch is connected to the tow vehicle;
- The load is secured to the trailer; and
- The trailer lights are connected and checked.

1.2.4. Incorrect Use of Safety Chains

If your trailer comes loose from the hitch for any reason, we have provided safety chains so that control of the trailer can still be maintained

^ WARNING

Improper rigging of the safety chains can result in loss of control of the trailer and tow vehicle, leading to death or serious injury, if the trailer uncouples from the tow vehicle.

- Fasten chains to frame of tow vehicle. Do not fasten chains to any part of the hitch unless the hitch has holes or loops specifically for that purpose.
- Cross chains underneath hitch and coupler with enough slack to permit turning and to hold tongue up, if the trailer comes loose.

1.2.5. Incorrect Use of Breakaway Brake

Your trailer may also be equipped with a breakaway brake system that can apply the brakes on your trailer, if your trailer comes loose from the hitch for any reason. You will

Safety Information

have a separate set of instructions for the breakaway brake if your trailer is so equipped. The safety chains and breakaway brake system must be in good condition and properly rigged to be effective.

^ WARNING

An ineffective or inoperative breakaway brake system can result in a runaway trailer, leading to death or serious injury, if the coupler or hitch fails.

The breakaway cable must be connected to the tow vehicle; and NOT to any part of the hitch.

Before towing the trailer, test the function of the breakaway brake system. If the breakaway brake system is not working, do not tow the trailer; have it serviced or repaired.

1.2.6. Mismatch of Trailer and Hitch

^ Danger

Use of a hitch with a load rating less than the load rating of the trailer can result in loss of control and may lead to death or serious injury.

Use of a tow vehicle with a towing capacity less than the load rating of the trailer can result in loss of control, and may lead to death or serious injury.

Be sure your hitch and tow vehicle are rated for the Gross Vehicle Weight Rating of your trailer.

1.2.7. Unsafe Tires, Lug Nuts or Wheels

Trailer tires and wheels are more likely to fail than car tires and wheels because they carry a heavier load. Therefore, it is essential to inspect the trailer tires before each tow.

If a tire has a bald spot, bulge, cuts, is showing any cords, or is cracked, replace the tire before towing. If a tire has uneven tread wear, take the trailer to a dealer service center for diagnosis. Uneven tread wear can be caused by tire imbalance, axle misalignment or incorrect inflation.

Tires with too little tread will not provide adequate tracking on wet roadways and can result in loss of control, leading to death or serious injury.

Improper tire pressure causes an unstable trailer and can result in a tire blowout and loss of control. Therefore, before each tow you must also check the tire pressure. Tire pressure must be checked when tires are cold. Allow 3 hours cool-down after driving as much as 1 kilometer at 65 km/h (1/2 mile at 40 mph) before checking tire pressure. NOTE: Trailer tires will be inflated to higher pressures than passenger vehicle tires.

^ WARNING

Improper tire pressure can result in a blowout and loss of control, which can lead to death or serious injury.

Be sure tires are inflated to pressure indicated on side wall before towing trailer.

Since trailer wheels and lug nuts (or bolts) are subjected to greater side loads than automobile wheels, they are more prone to loosen. Before each tow, check to make sure they are tight.

^ WARNING

Metal creep between the wheel rim and lug nuts will cause rim to loosen and could result in a wheel coming off, leading to death or serious injury.

Tighten lug nuts before each tow.

The proper tightness (torque) for lug nuts is listed at page 32 in the “Inspection and Service Instructions” chapter of this manual. Use a torque wrench to tighten the lug nuts. If you do not have a torque wrench, use a lug wrench (from your tow vehicle) and tighten the nuts as much as you can. Then have a service garage or trailer dealer tighten the lug nuts to the proper torque.

Lug nuts are also prone to loosen after first being assembled. When driving a new trailer (or after wheels have been remounted), check to make sure they are tight after the **first** 25, 50 and 100 kilometers (15, 30, 60 miles) of driving and before each tow thereafter.

Safety Information

Failure to perform this check can result in a wheel parting from the trailer and a crash, leading to death or serious injury.

^ WARNING

Lug nuts are prone to loosen after initial installation, which can lead to death or serious injury.

Check lug nuts for tightness on a new trailer or when wheel(s) have been remounted after the first 25, 50 and 100 kilometers (15, 30, 60 miles) of driving.

^ WARNING

Improper lug nut torque can cause a wheel parting from the trailer, leading to death or serious injury.

Be sure lug nuts are tight before each tow.

1.2.8. Overload

The total weight of the load you put in or on the trailer, plus the empty weight of the trailer itself, must not exceed the trailer's Gross Vehicle Weight Rating (GVWR). If you do not know the empty weight of the trailer, you must measure it at a commercial scale. In addition, you must distribute the load in the trailer such that the load on any tire or axle does not exceed the tire load rating or the Gross Axle Weight Rating (GAWR).

^ WARNING

An overloaded trailer can result in loss of control of the trailer, leading to death or serious injury.

Do not load a trailer so that the weight on any tire exceeds its rating.

Do not exceed the trailer Gross Vehicle Weight Rating (GVWR) or an axle Gross Axle Weight Rating (GAWR).

1.2.9. Unsafe Load Distribution

Uneven load distribution can cause tire, wheel, axle or structural failure. Be sure your trailer is properly loaded.

A proper weight distribution is equal, right to left; and creates a tongue weight that is in the proper range for stable trailer handling. For tandem and triple axle trailers, it is necessary to know or check that no axle is overloaded.

In the table below, the second column notes the rule of thumb percentage of total weight of the trailer plus its cargo (Gross Vehicle Weight, or "GVW") that should appear on the tongue of the trailer. For example, a trailer with a gooseneck hitch, with a loaded weight of 12,000 pounds, should have 20-25% of 12,000 pounds on the tongue. That is, the example trailer would have 2,400 to 3,000 pounds on its tongue.

Tongue Weight as a Percentage of Loaded Trailer Weight	
Type of Hitch	Percentage
Ball Hitch (or Bumper Hitch)	10-15%
Gooseneck Hitch	20-25%
Fifth Wheel Hitch	

^ WARNING

Improper tongue weight (load distribution) can result in loss of control of the trailer, leading to death or serious injury.

Make certain that tongue weight is within the allowable range.

Be sure to:

- Distribute the load front-to-rear to provide proper tongue weight (see chart);
- Distribute the load evenly, right and left, to avoid tire overload; and
- Keep the center of gravity low.

Towing stability also depends on keeping the center of gravity as low as possible. Load heavy items on the floor, and over the axles, but do not exceed the axle load rating (GAWR). When loading additional items, be sure to maintain even side-to-side weight distribution and proper tongue weight.

1.2.10. Shifting Cargo

Since the trailer "ride" can be bumpy and rough, you must secure your cargo so that it

Safety Information

does not shift while the trailer is being towed.

^ WARNING

Shifting cargo can result in loss of control of the trailer, and can lead to death or serious injury.

Tie down all loads with proper sized fasteners, ropes, straps, etc.

If the door latch is equipped with a catch that has a hole for a linchpin, use a linchpin to prevent the door latch from opening.

^ WARNING

If the door opens, your cargo may be ejected onto the road, resulting in death or serious injury to other drivers.

Always secure the door latch after closing. Place a linchpin in the catch.

1.2.11. Inappropriate Cargo

Your trailer may be designed for specific cargo, for example, only for horses. If your trailer is designed for specific cargo, only carry that cargo in the trailer. A utility trailer must not be used to carry certain items, such as people, containers of hazardous substances or containers of flammable substances.

^ WARNING

Do not transport people inside the trailer, even if it has living quarters. The transport of people puts their lives at risk and may be illegal.

^ WARNING

Do not transport flammable, explosive, poisonous or other dangerous materials in your trailer.

Exceptions:

- Fuel in the tanks of vehicles that are being towed
- Fuel stored in proper containers used in trailer living quarters for cooking
- Fuel stored in the tank of an on-board generator

1.2.12. Inoperable Brakes, Lights or Mirrors

Be sure that the electric brakes and all of the lights on your trailer are functioning properly before towing your trailer. Electric brakes and lights on a trailer are controlled via a connection to the tow vehicle, generally a multi-pin electrical connector. Check the trailer tail lights by turning on your tow vehicle headlights. Check the trailer brake lights by having someone step on the tow vehicle brake pedal while you look at trailer lights. Do the same thing to check the turn signal lights.

If your trailer has electric brakes, your tow vehicle will have an electric brake controller that sends power to the trailer brakes. Before towing the trailer on the road, you must operate the brake controller while trying to pull the trailer in order to confirm that the electric brakes operate. While towing the trailer at less than 10 km/h (5 mph), manually operate the electric brake controller in the tow vehicle cab. You should feel the operation of the trailer brakes.

^ WARNING

Improper electrical connection between the tow vehicle and the trailer will result in inoperable lights and electric brakes, and can lead to collision.

Before each tow:

- Check that the taillights, brake lights and turn signals work
- Check that the electric brakes work by operating the brake controller inside the tow vehicle

Safety Information

Standard mirrors usually do not provide adequate visibility for viewing traffic to the sides and rear of a towed trailer. You must provide mirrors that allow you to safely observe approaching traffic.

1.2.13. Hazards From Modifying Your Trailer

Essential safety items can be damaged by altering your trailer. Even simply driving a nail or screw to hang something can damage an electrical circuit, LP gas line or other feature of the trailer.

Before making any alteration to your trailer, contact your dealer and describe the alteration you are contemplating. Alteration of the trailer structure or modification of mechanical, electrical, plumbing, heating or other systems on your trailer must be performed only by qualified technicians who are familiar with the system as installed on your trailer. Any alteration of your trailer will void all warranty coverage.

1.2.14. Reporting Safety Defects

If you believe that your vehicle has a defect that could cause a crash or could cause injury

or death, you should immediately inform the National Highway Traffic Safety Administration (NHTSA) in addition to notifying Southland Trailer Corp.

If NHTSA receives similar complaints, it may open an investigation, and if it finds that a safety defect exists in a group of vehicles, it may order a recall and remedy campaign. However, NHTSA cannot become involved in individual problems between you, your dealer, or Southland Trailer Corp.

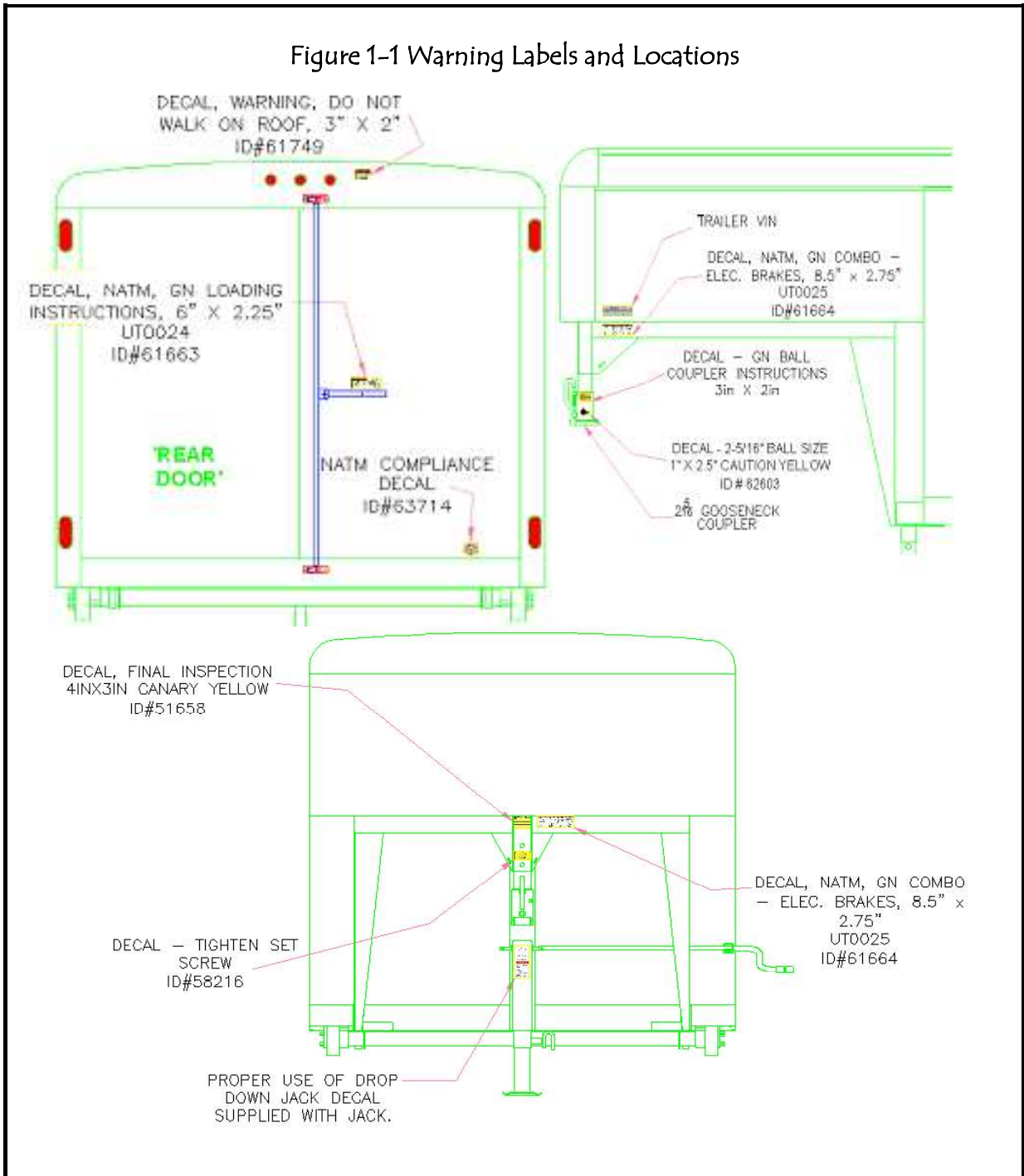
To contact NHTSA, you may either call the Vehicle Safety Hotline toll-free at 1-888-327-4236 (TTY: 1-800-424-9153), go to <https://www.safercar.gov>; or write to:

Administrator
NHTSA
1200 New Jersey Avenue SE
Washington, DC 20590

You can also obtain other information about motor vehicle safety from <http://www.safercar.gov>.

Safety Information

1.2.15. Safety Warning Labels on Your Trailer



^ WARNING

To protect you and others against death or serious injury, all of the labels shown above must be on the trailer and must be legible.

If any of these labels are missing or cannot be read, call Southland Trailer Corp. at (403) 327-8212 for free replacement labels.

You will need to provide us with the number shown at the bottom of the label(s) in order for us to send the correct one(s).

2. COUPLING TO THE TOW VEHICLE

Follow all of the safety precautions and instructions in this manual to ensure safety of persons, cargo, and satisfactory life of the trailer.

2.1. USE AN ADEQUATE TOW VEHICLE AND HITCH

If the vehicle or hitch is not properly selected and matched to the Gross Vehicle Weight Rating (GVWR) of your trailer, you can cause an accident that could lead to death or serious injury. If you already have a tow vehicle, know your vehicle tow rating and make certain the trailer's rated capacity is less than or equal to the tow vehicle's rated towing capacity. If you already have or plan to buy a trailer, make certain that the tow rating of the tow vehicle is equal to or greater than that of the trailer.

^ Danger

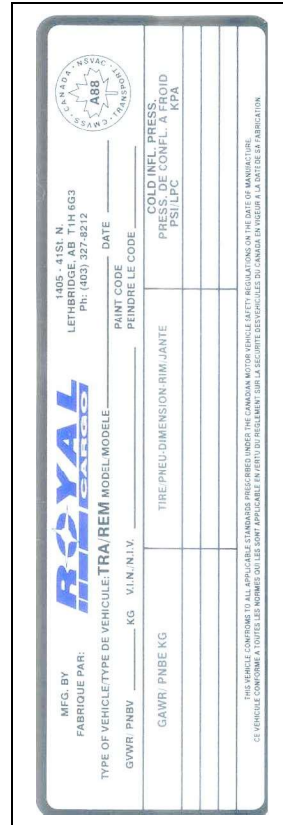
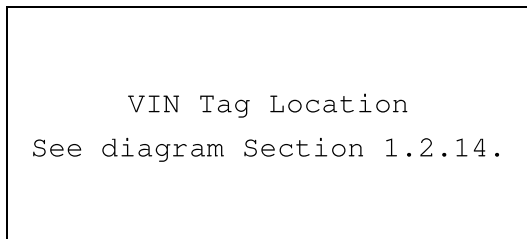
Use of a hitch with a load rating less than the load rating of the trailer can result in loss of control and may lead to death or serious injury.

Use of a tow vehicle with a towing capacity less than the load rating of the trailer can result in loss of control, and may lead to death or serious injury.

Be sure your hitch and tow vehicle are rated for the Gross Vehicle Weight Rating of your trailer.

2.1.1. Trailer Information

The "Trailer VIN Tag" location figure shows the location of the Vehicle Identification Number (VIN) tag on your trailer.



The trailer VIN tag contains the following critical safety information for the use of your trailer.

GAWR: The maximum gross weight that an axle can support. It is the lowest of axle, wheel, or tire rating. Usually, the tire or wheel rating is lower than the axle rating, and determines GAWR.

GVWR: The maximum allowable gross weight of the trailer and its contents. The gross weight of the trailer includes the weight of the trailer and all of the items within it (such as cargo, water, food and other supplies). GVWR is sometimes referred to as GTWR (Gross Trailer Weight Rating), or MGTW (Maximum Gross Trailer Weight). GVWR, GTWR and MGTW are all the same rating.

The sum total of the GAWR for all trailer axles may be less than the GVWR for the trailer, because some of the trailer load is to be carried by the tow vehicle, rather than by the trailer axle(s). The total weight of the cargo and trailer must not exceed the GVWR, and the load on an axle must not exceed its GAWR.

PSIC: The tire pressure (Pounds per Square Inch) measured when Cold.

VIN: The Vehicle Identification Number.

EMPTY WEIGHT: Some information that comes with the trailer (such as the Manufacturer's Statement of Origin) is not a

Coupling to the Tow Vehicle

reliable source for “empty” or “net” weight. The shipping documents list average or standard weights and your trailer may be equipped with options. To determine the “empty” or “net” weight of your trailer, weigh it on an axle scale. To find the weight of the trailer using an axle scale, you must know the axle weights of your tow vehicle **without** the trailer coupled. Some of the trailer weight will be transferred from the trailer to the tow vehicle axles, and an axle scale weighs all axles, including the tow vehicle axles.

2.2. COUPLING AND UNCOUPLING THE TRAILER

A secure coupling (or fastening) of the trailer to the tow vehicle is essential. A loss of coupling may result in death or serious injury. Therefore, you must understand and follow all of the instructions for coupling.

Trailer lighting (and braking) connector: A device that connects electrical power from the tow vehicle to the trailer. Electricity is used to turn on brake lights, running lights, and turn signals as required. In addition, if you trailer has a separate braking system, the electrical connector will also supply power to the brakes from the tow vehicle.

Breakaway switch: If the coupler connection comes loose, the breakaway switch can actuate emergency electrical brakes on the trailer. The breakaway switch must be rigged to the tow vehicle with appropriate slack that will activate the switch if the coupler connection comes loose.

Jack: A device on the trailer that is used to raise and lower the coupler. The jack is sometimes called the “landing gear.”

The following parts are involved in making a secure coupling between the trailer and tow vehicle:

Coupler: A device on the tongue of the trailer that connects to the hitch on the tow vehicle.

Hitch: A device on the tow vehicle that supports the weight of the trailer tongue and pulls the trailer. The coupler attaches to the hitch.

Safety chains: If the coupler connection comes loose, the safety chains can keep the trailer attached to the tow vehicle. With properly rigged safety chains, it is possible to keep the tongue of the trailer from digging into the road pavement, even if the coupler-to-hitch connection comes apart.

^ WARNING

An improperly coupled trailer can result in death or serious injury.

Do not move the trailer until:

- The coupler is secured and locked to hitch;
- The safety chains are secured to the tow vehicle; and
- The trailer jack(s) are fully retracted.

Do not tow the trailer on the road until:

- Tires and wheels are checked;
- The trailer brakes are checked;
- The breakaway switch is connected to the tow vehicle;
- The load is secured to the trailer; and
- The trailer lights are connected and checked.

VARIOUS COUPLER DESIGNS . . .

Trailers are produced with a variety of coupler devices. One of the sections below will pertain to your trailer.

- ◆ Ball Hitch Coupler
- ◆ Gooseneck Hitch Coupler
- ◆ Fifth Wheel Coupler

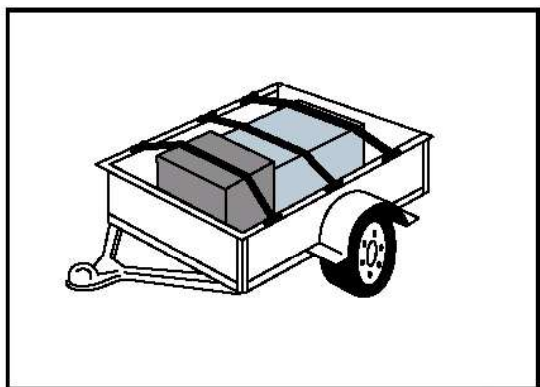
Coupling to the Tow Vehicle

If the coupler on your trailer does not resemble one of the couplers shown in the figures, see the separate coupler instructions. If you do not have separate coupler instructions, call Southland Trailer Corp. at (403) 327-8212 for a free copy.

2.2.1. Trailer with Ball-Hitch Coupler

A ball hitch coupler connects to a ball that is located on or under the rear bumper of tow vehicle. This system of coupling a trailer to a tow vehicle is sometimes referred to as “bumper pull” or “tag-a-long.”

A ball hitch trailer may be fitted with a tongue jack that can raise and lower the coupler. The tongue jack is mounted to the A-frame (front, or tongue) part of the trailer. By rotating the jack handle clockwise, the jack will extend and raise the tongue of the trailer.



Trailer with Ball-hitch Coupler

We have utilized a Ball Hitch coupler that is suitable for the size and weight of the trailer. The load rating of the coupler and the necessary ball size are listed on the trailer tongue. You must provide a hitch and ball for your tow vehicle, where the load rating of the hitch and ball is equal to or greater than that of your trailer. Also, the ball size must be the same as the coupler size. If the hitch ball is too small, too large, is underrated, is loose or is worn, the trailer can come loose from the tow vehicle, and may cause death or serious injury.

THE TOW VEHICLE, HITCH AND BALL MUST HAVE A RATED TOWING CAPACITY EQUAL TO OR GREATER THAN THE TRAILER Gross Vehicle Weight Rating (GVWR).

IT IS ESSENTIAL THAT THE HITCH BALL BE OF THE SAME SIZE AS THE COUPLER.

The ball size and load rating (capacity) are marked on the ball; hitch capacity is marked on the hitch.

2.2.1.1. Before coupling the trailer to the tow vehicle

Be sure the size and rating of hitch ball match the size and rating of the coupler. Hitch balls and couplers are marked with their size and rating.

^ WARNING

Coupler-to-hitch mismatch can result in uncoupling, leading to death or serious injury.

Be sure the **LOAD RATING** of the hitch ball is equal or greater than the load rating of the coupler.

Be sure the **SIZE** of the hitch ball matches the size of the coupler.

- ◆ Wipe the hitch ball clean and inspect it visually and by feel for flat spots, cracks and pits.

^ WARNING

A worn, cracked or corroded hitch ball can fail while towing, and may result in death or serious injury.

Before coupling trailer, inspect the hitch ball for wear, corrosion and cracks.

Replace worn or damaged hitch ball.

- ◆ Rock the ball to make sure it is tight to the hitch, and visually check that the hitch ball nut is solid against the lock washer and hitch frame.
- ◆ Wipe the inside and outside of the coupler clean and inspect it visually for cracks and deformations; feel the inside of the coupler for worn spots and pits.
- ◆ Be sure the coupler is tight to the tongue of the trailer. All coupler fasteners must be visibly solid against the trailer frame.

Coupling to the Tow Vehicle

^ WARNING

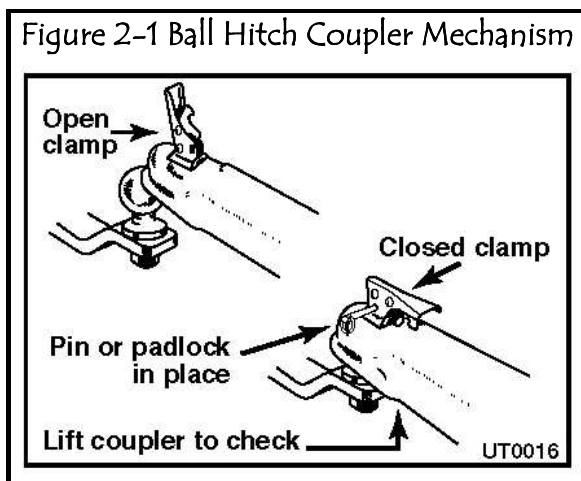
A loose hitchball nut can result in uncoupling, leading to death or serious injury.

Be sure the hitch ball is tight to the hitch before coupling the trailer.

- ◆ Raise the bottom surface of the coupler to be above the top of the hitch ball. Use the jack if one is provided; otherwise, use wood or concrete blocks to support the trailer tongue.

2.2.1.2. Prepare the coupler and hitch

- ◆ Lubricate the hitch ball and the inside of the coupler with a thin layer of automotive bearing grease. If your trailer is equipped with a jack, raise the coupler above the ball height.
- ◆ Open the coupler locking mechanism. Ball couplers have a locking mechanism with an internal moving piece and an outside handle.
 - In the open position, the coupler is able to drop fully onto the hitch ball.
 - See the coupler instructions for details of placing the coupler in the “open” position.
- ◆ Slowly back up the tow vehicle so that the hitch ball is near or aligned under the coupler, if the trailer jack has raised the coupler.



2.2.1.3. Couple the trailer to the tow vehicle

If your trailer does not have a jack, you will have to lift the coupler and place it over the ball.

- ◆ If you have a jack, lower the trailer until the coupler fully engages the hitch ball. If the coupler does not line up with the hitch ball, adjust the position of the tow vehicle.
- ◆ Engage the coupler locking mechanism. In the engaged position, the locking mechanism securely holds the coupler to the hitch ball.
- ◆ Insert a pin or lock through the hole in the locking mechanism.
- ◆ Be sure the coupler is all the way on the hitch ball and the locking mechanism is engaged. A properly engaged locking mechanism will allow the coupler to raise the rear of the tow vehicle. Using the trailer jack, test to see that you can raise the rear of the tow vehicle by 1 inch, after the coupler is locked to the hitch

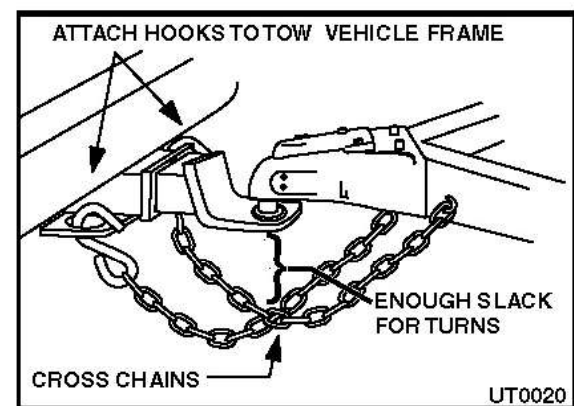
^ Notice

Overloading can damage the tongue jack. Do not use the tongue jack to raise the tow vehicle more than 1 inch.

If the coupler cannot be secured to the hitch ball, do not tow the trailer. Call your local dealer for assistance.

- ◆ Lower the trailer so that its entire tongue weight is held by the hitch, and continue retracting the jack to its fully retracted position.

2.2.1.4. Rig the safety chains



Safety Chain Arrangement
Bumper Pull Trailer

- ◆ Visually inspect the safety chains and hooks for wear or damage. Replace worn or damaged safety chains and hooks before towing.

Coupling to the Tow Vehicle

- ◆ Rig the safety chains so that they:
 - cross underneath the coupler;
 - loop around a frame member of the tow vehicle or to holes provided in the hitch system (but, do **not** attach them to a removable part of the hitch assembly); and
 - have enough slack to permit tight turns, but so much that the chains drag. If the trailer uncouples, the safety chains must be able to hold the tongue up above the road.

^ WARNING

Improper rigging of the safety chains can result in loss of control of the trailer and tow vehicle, leading to death or serious injury, if the trailer uncouples from the tow vehicle.

- Fasten chains to frame of tow vehicle. Do not fasten chains to any part of the hitch unless the hitch has holes or loops specifically for that purpose.
- Cross chains underneath hitch and coupler with enough slack to permit turning and to hold tongue up, if the trailer comes loose.

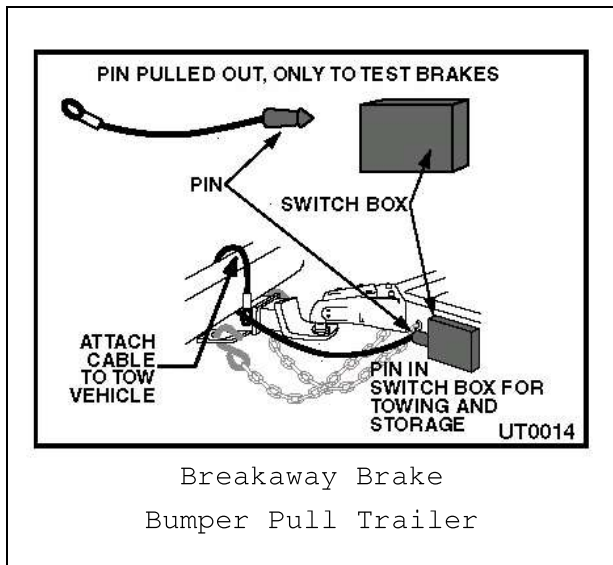
2.2.1.5. Attach and test electric breakaway brake system

If the coupler or hitch fails, a properly connected and working breakaway brake system will apply electric brakes on the trailer. The safety chains will keep the tow vehicle attached and as the brakes are applied at the trailer's axles, the trailer/tow vehicle combination will come to a controlled stop.

The breakaway brake system includes a battery, a switch with a pullpin, and a breakaway brake controller. Read and follow the instructions here as well as the instructions that have been prepared by the breakaway brake controller manufacturer. If you do not have these instructions, call Southland Trailer Corp. at (403) 327-8212 for a free copy.

The breakaway brake system may be fitted with a charging facility that draws power from the tow vehicle. If the electrical system on your tow vehicle does not provide power to the breakaway brake battery, you must

periodically charge the battery to keep the breakaway brake system in working order.



- ◆ Connect the pullpin cable to the tow vehicle so that the pullpin will be pulled out before all of the slack in the safety chains is taken up (see Breakaway Brake System figure). Do **not** connect the pullpin cable to a safety chain or to the hitch ball or hitch ball assembly. This would keep the breakaway brake system from operating when it is needed.
- ◆ Remove the pullpin from the switch and test tow the trailer, at less than 10 km/h (5 mph) You should feel the trailer resisting being towed, but the wheels will not necessarily be locked. If the brakes do not function, do not tow the trailer until brakes are repaired.
- ◆ Immediately replace the pullpin. The breakaway brake system battery discharges rapidly when the pullpin is removed.

^ WARNING

An ineffective breakaway brake system can result in a runaway trailer, leading to death or serious injury, if the coupler or ball hitch fails.

Connect the breakaway cable to the tow vehicle; and NOT to the hitch, ball or support.

Before towing the trailer, test the function of the breakaway brake system. If the breakaway brake system is not working, do not tow the trailer. Have it serviced or repaired.

Coupling to the Tow Vehicle

Do **not** tow the trailer with the breakaway brake system ON because the brakes will overheat which can result in permanent brake failure.

^ WARNING

Failure to replace the pullpin will discharge the battery and prevent brakes from working, leading to loss of control, serious injury or death.

If you do not use your trailer for three or more months, or during winter months:

- Store the battery indoors; and
- Charge the battery every three months.

2.2.1.6. Connect the electrical cables

Connect the trailer lights to the tow vehicle's electrical system using the electrical connectors.

- ◆ Check all lights for proper operation.
 - Clearance and Running Lights (Turn on tow vehicle headlights).
 - Brake Lights (Step on tow vehicle brake pedal).
 - Turn Signals (Operate tow vehicle directional signal lever).
- ◆ Check electric brakes for proper operation

If your trailer has electric brakes, your tow vehicle will have an electric brake controller that sends power to the trailer brakes. Before towing the trailer on the road, you must operate the brake controller while trying to pull the trailer in order to confirm that the electric brakes operate. While towing the

2.2.2. Trailer with Gooseneck Coupler and Drop-leg Jack

A gooseneck coupler on the trailer connects to a gooseneck ball that you must have installed in the bed of the tow vehicle. This system of coupling a trailer to a tow vehicle permits the tow vehicle to turn to sharper angles than are permitted by a bumper hitch system. A gooseneck coupler consists of a tube in an inverted "U" shape and a gooseneck ball receiver. "Trailer with Gooseneck Hitch Coupler" figure shows a trailer with a gooseneck coupler.

trailer at less than 10 km/h (5 mph), manually operate the electric brake controller in the tow vehicle cab. You should feel the operation of the trailer brakes.

^ WARNING

Improper electrical connection between the tow vehicle and the trailer will result in inoperable lights and electric brakes, and can lead to collision.

Before each tow:

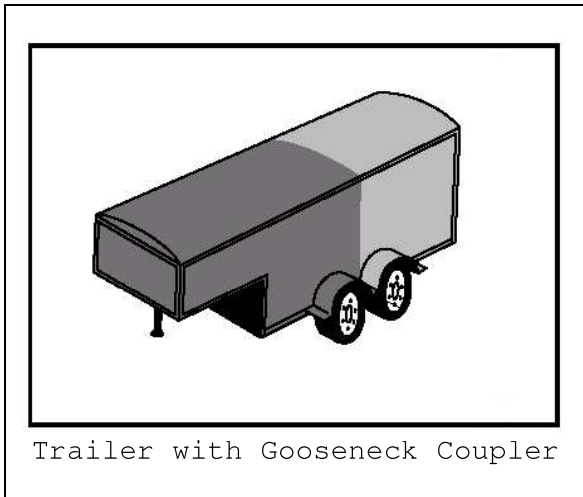
- Check that the taillights, brake lights and turn signals work
- Check that the electric brakes work by operating the brake controller inside the tow vehicle

2.2.1.7. Uncoupling the Ball Hitch Trailer with Tongue Jack

Follow these steps to uncouple your ball hitch trailer from the tow vehicle:

- Block trailer tires to prevent the trailer from rolling, before jacking the trailer up.
- Disconnect the electrical connector.
- Disconnect the breakaway brake switch cable. Promptly replace the pullpin in the switchbox.
- Disconnect the safety chains from the tow vehicle.
- Unlock the coupler and open it.
- Before extending jack, make certain the ground surface below the jack pad will support the tongue load.
- Rotate the jack handle (or crank) clockwise. This will slowly extend the jack and transfer the weight of the trailer tongue to the jack.

Coupling to the Tow Vehicle



We have utilized a Gooseneck ball receiver that is suitable for the size and weight of the trailer. The load rating of the coupler and the necessary ball size are listed on the gooseneck.

You must provide a gooseneck ball and support structure that is marked with a rating that meets or exceeds the GVW Rating of your trailer **and** matches the size of the gooseneck ball receiver. If the gooseneck ball is too small, is underrated, is loose or is worn, the trailer can come loose from the tow vehicle, and may lead to death or serious injury.

THE TOW VEHICLE, SUPPORT STRUCTURE AND GOOSENECK BALL MUST HAVE A RATED TOWING CAPACITY EQUAL TO OR GREATER THAN THE TRAILER Gross Vehicle Weight Rating (GVWR).

IT IS ESSENTIAL THAT THE GOOSENECK BALL BE OF THE SAME SIZE AS THE GOOSENECK BALL RECEIVER.

The gooseneck ball size and load rating (capacity) are marked on the ball; hitch capacity is marked on the hitch.

^ WARNING

Coupler-to-hitch mismatch can result in uncoupling, leading to death or serious injury.

Be sure the **LOAD RATING** of the hitch ball is equal or greater than the load rating of the coupler.

Be sure the **SIZE** of the hitch ball matches the size of the coupler.

The height of the ball receiver on the trailer must be adjusted to match the height of the gooseneck ball on your tow vehicle, so that:

- There is clearance between the bottom of the trailer and the sides of the tow vehicle bed; and
- The trailer is level and allows equal weight distribution on tandem axles.

The gooseneck height adjustment bolts, which have a “cup” that makes a gripping impression into the gooseneck tube, must be tight so that the trailer does not drop to a lower position.

^ WARNING

Improper gooseneck height adjustment can result in overloaded tires, blowout and loss of control, leading to death or serious injury.

Adjust the gooseneck receiver so that the loaded trailer is level.

A trailer having a gooseneck hitch will have one or two drop leg jacks for raising and lowering the gooseneck ball receiver. Because we use several drop leg jack mechanisms, the general instructions below may vary slightly from the jack manufacturer’s instructions. If the trailer jack on your trailer does not resemble the jack shown in the figures, follow the jack instructions provided by the jack manufacturer. If you do not have these instructions, call Southland Trailer Corp. at (403) 327-8212 for a free copy.

Spring Loaded Dropleg

LOCKED POSITION

RELEASED POSITION

WARNING

SPRING LOADED DROPLEGS RETRACTS WITH FORCE, AND CAN CUT AND CRUSH WHEN RETRACTING.

KEEP HANDS AND FEET CLEAR OF THE DROP SECTION WHILE OPERATING THE RELEASE HANDLE.

Before attempting to tow the trailer:

Coupling to the Tow Vehicle

- ◆ Be sure the size and rating of the gooseneck ball match the size and rating of the receiver. Gooseneck balls and receivers are marked with their size and ratings.
- ◆ Wipe the gooseneck ball clean and inspect it visually and by feel for flat spots, cracks and pits.

^ WARNING

A worn, cracked or corroded gooseneck ball can fail while towing, and may result in death or serious injury.

Before coupling the trailer, inspect the gooseneck ball for wear, corrosion and cracks; and replace worn or damaged gooseneck ball.

- ◆ Rock the ball to make sure it is tight to the ball support, and visually check that the gooseneck ball nut is solid against the lock washer and ball support frame.

^ WARNING

A loose gooseneck ball can result in uncoupling, leading to death or serious injury.

Be sure the gooseneck ball nut is tight before coupling the trailer.

2.2.2.1. Prepare the ball receiver and gooseneck ball

- ◆ Wipe the inside and outside of the receiver clean and inspect it visually for cracks; and feel the inside of the receiver for worn spots and pits. If any of these conditions exist, have the receiver replaced before coupling the trailer.
- ◆ Lubricate the inside of the gooseneck ball receiver with automotive bearing grease.
- ◆ Be sure the receiver is tight to the trailer. All receiver fasteners must be visibly solid against the trailer frame.
- ◆ Release the jack handle or crank from its holder (see “Drop Leg Jack” figure).
- ◆ Make certain the ground beneath the jack foot is firm enough to support the tongue weight.
- ◆ Rotate the handle/crank clockwise to raise the bottom surface of the gooseneck to be above the top of the gooseneck ball.

- ◆ Release the lock plate on the gooseneck ball receiver. With the spring-loaded lock plate locking pin in the OPEN position, rotate the lock plate to a position that allows the gooseneck ball to enter the receiver (see “Gooseneck Ball Receiver and Height Adjustment” figure).
- ◆ Slowly back up the tow vehicle so that the gooseneck ball is aligned under the gooseneck ball receiver.

^ WARNING

If the trailer drops during coupling, death or serious injury may result.

There must be no one under the trailer or coupler before or during the coupling operation.

2.2.2.2. Couple the trailer to the tow vehicle

- ◆ Rotate the jack handle counter-clockwise. This will retract the jack causing the gooseneck ball receiver to drop down so it can fully engage the gooseneck ball and transfer the weight of the trailer tongue to the towing vehicle hitch. If the receiver does not line up with the ball, raise the receiver again and adjust the position of the tow vehicle. Then lower the receiver over the ball. When the drop leg base is no longer resting on the ground, the towing vehicle hitch is holding all of the weight of the trailer tongue.
- ◆ Close the lock plate on the gooseneck ball receiver.
- ◆ Move the spring-loaded lock plate locking pin to the CLOSED position. Be sure the locking pin is holding the lock plate.
- ◆ Be sure the receiver is all the way on the gooseneck ball and the lock plate is engaged. A properly engaged locking mechanism will allow the coupler to raise the rear of the tow vehicle. Using the trailer jack, test to see that you can raise the rear of the tow vehicle by 1 inch.

^ Notice

Overloading can damage the drop leg jack. Do not use the drop leg jack to raise the tow vehicle more than 1 inch.

Coupling to the Tow Vehicle

If the gooseneck ball cannot be secured to the receiver, do not tow the trailer. Call your local dealer for assistance.

- ◆ After testing to see that the receiver is properly secured and locked to the ball, retract the jack to its fully retracted position.
- ◆ Return the drop legs to their upper positions. The drop legs are held in the lowered position with a plunger pin. Rotating the plunger pin while pulling it outward will cause it to come out of engagement with the drop leg and the leg will rapidly rise (see “Drop Leg Mechanism” figure).



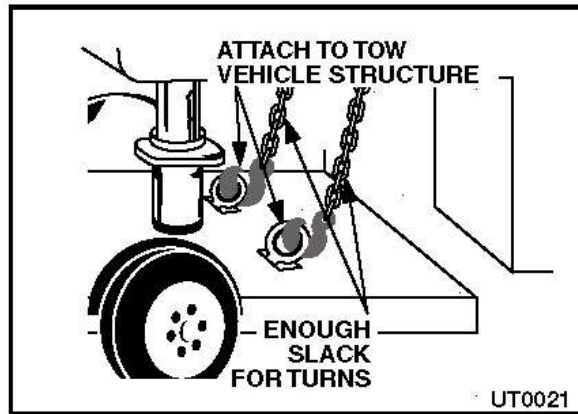
^ Caution

The drop legs are heavily spring loaded in the lowered position. They will rapidly return to the upper position when released and can inflict serious bruises, scrapes or pinching.

Keep your feet, shins and hands well clear of the drop legs and drop leg bases when releasing the drop legs.

Always wear shoes or boots while performing this operation

2.2.2.3. Rig the safety chains



- ◆ Visually inspect the safety chains and hooks for wear or damage. Replace worn or damaged safety chains and hooks before towing.
 - Rig the safety chains so that they attach to the “safety chain receivers” on the hitch. If you are not certain of the hitch provisions for receiving safety chains, contact the hitch manufacturer or installer. Do NOT attach the safety chains to the gooseneck ball or its support; and
 - Rig the safety chains so they have sufficient slack to permit turning, but not too much slack – the safety chains must keep the gooseneck on the tow vehicle bed if the trailer uncouples.

^ WARNING

Improper rigging of the safety chains can result in loss of control of the trailer and tow vehicle, leading to death or serious injury, if the trailer uncouples from the tow vehicle.

- Fasten chains to safety chain receivers on the hitch, not to ball.
- Have sufficient slack to permit turning and to keep gooseneck on bed of trailer, if the trailer comes loose.

2.2.2.4. Attach and test the breakaway brake system

See Section 2.2.1.5.

2.2.2.5. Connect the electrical cables

See Section 2.2.1.6.

Coupling to the Tow Vehicle

2.2.2.6. Uncoupling the Gooseneck Trailer with Drop-leg Jack

Follow these steps to uncouple your gooseneck hitch trailer from the tow vehicle:

- ◆ Block trailer tires to prevent the trailer from rolling, before jacking the trailer up
- ◆ Disconnect the electrical connector.
- ◆ Disconnect the breakaway brake switch cable. Promptly replace the pin in the switchbox.
- ◆ Disconnect the safety chains from the tow vehicle.
- ◆ Move the spring-loaded gooseneck receiver lock plate locking pin to the OPEN position.
- ◆ Rotate the lock plate to a position that permits the gooseneck ball to exit the receiver.
- ◆ Before releasing dropleg jack, make certain ground surface below jack base will support the trailer tongue load.
- ◆ Rotate the drop leg plunger pin handle so that the plunger pin is released from the drop leg (see “Releasing Drop Leg Mechanism” figure).
- ◆ Push down on the drop leg base with your foot to place a drop leg to the desired lowered position.
- ◆ Rotate the plunger pin handle so that the plunger pin is attempting to engage the drop leg (see “Releasing Drop Leg Mechanism” figure)
- ◆ Slowly raise your foot, permitting the drop leg to rise. The plunger pin will engage a hole in the drop leg.

^ Caution

The drop legs are heavily spring loaded in the lowered position. They will rapidly return to the upper position when released and can inflict serious bruises, scrapes or pinching.

Keep your feet, shins and hands well clear of the drop legs and drop leg bases when releasing the drop legs.

Always wear shoes or boots while performing this operation

- ◆ Be sure the plunger pin is fully engaged. Push it in by hand if necessary. The bent part of the plunger pin handle must be touching the plunger pin housing.

- ◆ If your trailer has two drop leg jacks, lower them both to the same level, following the above instructions.

^ Notice

If the drop legs are not set at the same level, one of the drop leg jacks can be overloaded and can be damaged.

- ◆ Release the handle (or crank) from its holder and engage it with the jack shaft (see “Drop Leg Jack” figure).
- ◆ Rotate the handle (or crank) from its hold and engage it with the jack shaft (see “Drop Leg Jack” figure).
- ◆ Rotate the handle (or crank) clockwise to slowly extend the jack and transfer the weight of the trailer tongue to the jack.
- ◆ On two speed jacks, pushing the handle shaft toward the gearbox can perform rapid extension. This shifts the gearbox into a high speed mode.
- ◆ When the drop leg base contacts the ground, shift the gearbox into low speed mode by pulling out on the handle shaft until it locks into low gear.

^ Notice

Do not use high speed to lift the trailer, the drop leg jack mechanism can be damaged.

High speed is used only to rapidly move the drop leg base into contact with the ground.

Continue to extend the jack(s), making sure that the ground is providing stable and level support for the trailer.

After the jack(s) are extended and the gooseneck ball receiver is well clear of the gooseneck ball, to permit driving the tow vehicle away, disengage the handle from its shaft and return to its holder.

2.2.3. Trailer with Fifth-wheel Coupler and Drop-leg Jack

A fifth wheel coupler on the trailer (see “Fifth Wheel Coupler” figure) connects to a kingpin that you must have installed in the bed of the tow vehicle. This system of coupling a trailer to a tow vehicle has a greater tongue weight capacity than a ball hitch or gooseneck coupling.

Coupling to the Tow Vehicle

A fifth wheel coupler includes a flat load-bearing plate with a slot, and a mechanism inside the slot that “grips” the kingpin.

We have utilized a fifth wheel coupler that is suitable for the size and weight of the trailer. You must provide a kingpin and kingpin plate that match the fifth wheel, and that is rated for the Gross Vehicle Weight Rating (GVWR) of your trailer.

2.2.3.1. Before attempting to tow the trailer

- ◆ Be sure the size and rating of the fifth wheel and kingpin match.
- ◆ Wipe the kingpin clean and inspect it visually and by feel for flat spots, cracks and pits. Check the condition of the kingpin mounting in the bed of the tow vehicle.

^ WARNING

A worn, bent, cracked or corroded kingpin can fail while towing, and may result in death or serious injury.

Before coupling the trailer, inspect the kingpin and kingpin plate for wear, bending, cracks or corrosion; and replace worn or damaged kingpin.

- ◆ Be sure the fifth wheel mechanism operates freely.
- ◆ Lubricate the fifth wheel plate surface with a light coat of Lithium-base, waterproof grease.
- ◆ Be sure the fifth wheel and kingpin fasteners are tight and any welds are solid.

^ WARNING

A loose fifth wheel or kingpin can result in uncoupling, leading to death or serious injury.

Be sure the fifth wheel and kingpin are tight before coupling the trailer.

- ◆ Be sure the brake line, electrical line, and any other lines are clear of the coupling area.
- ◆ Be sure the locks are open (see “Fifth Wheel Coupler Operation” figure).

- ◆ If the tow vehicle is equipped with a tailgate, lower it.
- ◆ Block the trailer wheels, front and rear.
- ◆ Make certain that trailer fifth wheel plate is slightly above the kingpin plate on the tow vehicle.
- ◆ Back tow vehicle up close to the trailer, centering the kingpin in the slot of the fifth wheel.
- ◆ **STOP** before engaging the coupling.

^ WARNING

If the trailer drops during coupling, death or serious injury may result.

There must be no one under the trailer or coupler before or during the coupling operation.

- ◆ Adjust the height of the trailer, using the jack, so that the fifth wheel plate just touches the kingpin plate.
- ◆ Slowly back up the tow vehicle, keeping the kingpin centered in the slot of the fifth wheel. Continue backing up until the fifth wheel locks firmly on the kingpin.
- ◆ Visually check to confirm that the fifth wheel locks are properly locked onto the kingpin by performing the three checks illustrated in the “Fifth Wheel Coupler Operation” figure.
- ◆ Attempt to pull forward as an initial test of the closing of the fifth wheel locks.

^ WARNING

An improperly coupled fifth wheel can come loose, resulting in death or serious injury.

Do not tow the trailer until all of the visual checks have been performed:

- Adjustment nut against fifth wheel.
- Secondary lock behind yoke.
- Fifth wheel against kingpin plate.

Raise the Drop Leg Jack

A trailer having a fifth wheel coupler will be outfitted with one or two drop leg jacks for raising and lowering the fifth wheel coupler. Because we use several drop leg jack mechanisms, the general instructions below may vary slightly from the jack manufacturer’s instructions. If the trailer

Coupling to the Tow Vehicle

jack on your trailer does not resemble the jack shown in the figures, follow the jack instructions provided by the jack manufacturer. If you do not have these instructions, call Southland Trailer Corp. at (403) 327-8212 for a free copy.

- ◆ Rotate the jack handle counter-clockwise. This will slowly retract the jack and transfer the weight of the trailer tongue to the towing vehicle. When the drop leg base is no longer resting on the ground, the towing vehicle hitch is holding all of the weight of the trailer tongue. Continue retracting the jack to its fully retracted position.
- ◆ Return the drop legs to their upper positions. The drop legs are held in the lowered position with a plunger pin. Rotating the plunger pin while pulling it outward about $\frac{3}{4}$ inch will cause it to come out of the engagement with the drop leg and the leg will rapidly raise (see the “Releasing Drop Leg Mechanism” figure).
- ◆ Raise the Tailgate
- ◆ Pick up the trailer wheel blocks.

2.2.3.2. Attach and test the breakaway brake system

See Section 2.2.1.5.

2.2.3.3. Connect the electrical cables

See Section 2.2.1.6.

2.2.3.4. Uncoupling the Fifth-Wheel Trailer with Drop-leg Jack

See Section 2.2.2.6.

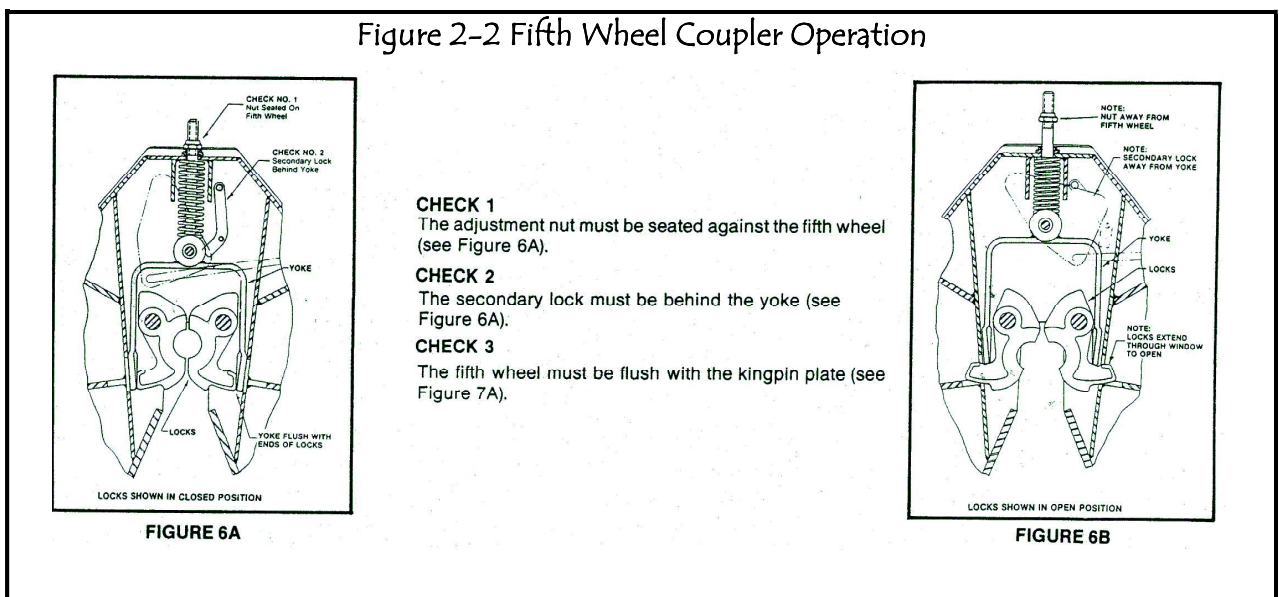
- ◆ Open the fifth wheel locks by:
 - Pulling the release handle, or
 - Using a separate pipe release handle to engage the solid stud on the secondary lock (see “Fifth Wheel Coupler Operation” and “Opening Fifth Wheel Locks” figures).
- ◆ Slowly drive the tow vehicle away from the trailer.
- ◆ Raise the tow vehicle tailgate.

^ Caution

The drop legs are heavily spring loaded in the lowered position. They will rapidly return to the upper position when released and can inflict serious bruises, scrapes or pinching.

Keep your feet, shins and hands well clear of the drop legs and drop leg bases when releasing the drop legs.

Always wear shoes or boots while performing this operation



3. LOADING THE TRAILER

Improper trailer loading causes many accidents and deaths. To safely load a trailer, you must consider:

- Overall load weight;
- Load weight distribution;
- Proper tongue weight; and
- Securing the load properly.

To determine that you have loaded the trailer within its rating, you must consider the *distribution* of weight, as well as the total weight of the trailer and its contents. The trailer axles carry most of the total weight of the trailer and its contents (Gross Vehicle Weight, or “GVW”). The remainder of the total weight is carried by the tow vehicle hitch. It is essential for safe towing that the trailer tongue and tow vehicle hitch carry the proper amount of the loaded trailer weight, otherwise the trailer can suddenly sway wildly at towing speed. Read the “Tongue Weight” section below.

The load distribution must be such that no component part of the trailer is loaded beyond its rating. This means that you must consider the rating of the tires, wheels and axles. For tandem and triple axle trailers, you must make sure that the front-to-rear load distribution does not result in overloading any axle.

Towing stability also depends on keeping the center of gravity as low as possible. Load heavy items on the floor and over the axles. When loading additional items, be sure to maintain even side-to-side weight distribution and proper tongue weight. The total weight of the trailer and its contents must never exceed the total weight rating of the trailer (Gross Vehicle Weight Rating, or “GVWR”).

^ WARNING

An overloaded trailer can result in loss of control of the trailer, leading to death or serious injury.

Do not load a trailer so that the weight on any tire exceeds its rating.

Do not exceed the trailer Gross Vehicle Weight Rating (GVWR) or an axle Gross Axle Weight Rating (GAWR).

Tongue Weight

It is critical to have a portion of the trailer load carried by the tow vehicle. That is, the trailer tongue must exert a downward force on the hitch. This is necessary for two reasons. First, the proper amount of tongue weight is necessary for the tow vehicle to be able to maintain control of the tow vehicle/trailer system. If, for example, the tongue exerts an upward pull on the hitch, instead of pushing down on it (because the trailer is overloaded behind its axle(s)), the rear wheel of the tow vehicle can lose traction or grip and cause loss of control. Also, even if there is some weight on the tongue, but not enough weight on the tongue, the trailer can suddenly become unstable at high speeds.

If, on the other hand, there is too much tongue weight, the front wheels of the tow vehicle can be too lightly loaded and cause loss of steering control and traction, as well, if the front wheels are driving.

In addition to tow vehicle control, tongue weight is necessary to insure that the trailer axle(s) do not exceed their Gross Axle Weight Rating (GAWR).

The table below has “rules of thumb” for proper tongue weight.

In the table below, the second column notes the rule of thumb percentage of total weight of the trailer plus its cargo (Gross Vehicle Weight, or “GVW”) that should appear on the tongue of the trailer. For example, a trailer with a gooseneck hitch, with a loaded weight of 12,000 pounds, should have 20-25% of 12,000 pounds on the tongue. That is, the example trailer would have 2,400 to 3,000 pounds on its tongue.

Loading the Trailer

Tongue Weight as a Percentage of Loaded Trailer Weight	
Type of Hitch	Percentage
Ball Hitch (or Bumper Hitch)	10-15%
Gooseneck Hitch	20-25%
Fifth Wheel Hitch	

^ WARNING

Improper tongue weight (load distribution) can result in loss of control of the trailer, leading to death or serious injury.

Make certain that tongue weight is within the allowable range.

Be sure to:

- Distribute the load front-to-rear to provide proper tongue weight (see chart);
- Distribute the load evenly, right and left, to avoid tire overload; and
- Keep the center of gravity low.

3.1.1. Loading Cargo

Couple the trailer to the tow vehicle before loading. The tongue of a bumper pull trailer can rise during loading, before the cargo is properly distributed. To measure the tongue weight, you will have to uncouple the trailer after it is loaded.

Do not transport people, containers of hazardous substances, cans or containers of flammable substances. However, fuel in the tank of an off-road vehicle, or a car or motorcycle, etc., may be carried inside of your enclosed cargo trailer.

^ WARNING

Do not transport people inside the trailer, even if it has living quarters. The transport of people puts their lives at risk and may be illegal.

3.1. SECURING THE CARGO

Since the trailer “ride” can be bumpy and rough, you must secure your cargo so that it does not shift while the trailer is being towed.

^ WARNING

Shifting cargo can result in loss of control of the trailer, and can lead to death or serious injury.

Tie down all loads with proper sized fasteners, ropes, straps, etc.

^ WARNING

Do not transport flammable, explosive, poisonous or other dangerous materials in your trailer.

Exceptions:

- Fuel in the tanks of vehicles that are being towed
- Fuel stored in the tank of an on-board generator

3.1.1.1. Preparing the Trailer for Loading

Before loading cargo into your enclosed trailer, inspect the interior of the trailer.

Enclosed trailers may be fitted with “D”-ring hold-downs, and/or a track system that can be used to secure the cargo. Inspect the “D”-rings and track system for looseness or signs of bending before loading the cargo onto the trailer.

Loading the Trailer

^ WARNING

Damaged or loose “D”-rings can break, allowing cargo to become loose inside the trailer. Loose cargo can shift the center of gravity, and result in loss of control of the trailer.

Inspect “D”-rings, and test them for looseness before loading cargo.

Do not use a damaged or loose “D”-ring to secure cargo.

4. Close the drop ramp door and secure the trailer door catch using a linchpin or other locking device, so that the catch and door cannot open while the trailer is being towed.

^ WARNING

If the door opens, your cargo may be ejected onto the road, resulting in death or serious injury to other drivers.

Always secure the door latch after closing. Place a linchpin in the catch.

3.1.1.2. Loading the Enclosed Trailer

Enclosed trailers may be fitted with a drop ramp door. The weight of the drop ramp door is partially held by a spring and cable counterbalance assembly. If this assembly is out of adjustment or worn out, it will not provide the expected assistance for slow and careful lowering and rising of ramp.

^ WARNING

A spring and cable counterbalance can inflict serious injury if it breaks, or if incorrectly adjusted.

Inspect the cable and cable ends each time the door is operated.

Do not attempt to service the counterbalance. Take the trailer to your dealer for service.

1. Carefully lower the drop ramp to the ground.
2. Load the cargo up the drop ramp and into the trailer. If the trailer has living quarters, the cargo area of your trailer will have ventilation openings near the floor. Do not block these ventilation openings. These openings are provided to exhaust potentially deadly fumes.

^ WARNING

Accumulation of hazardous fumes can cause death or serious injury.

Do not block access to ventilation ports.

3. Secure the cargo to the trailer using appropriate straps, chains and tensioning devices.

4. CHECKING THE TRAILER BEFORE AND DURING EACH TOW

4.1. PRE-TOW CHECKLIST

Before towing, double-check all of these items:

- Tires, wheels and lug nuts (see the “Major Hazards” section starting on page 1 of this manual)
- Coupler secured and locked (see the “Coupling and Uncoupling the Trailer” section starting on page 9 of this manual)
- Safety chains properly rigged to tow vehicle, not to hitch or ball (see the “Coupling to the Tow Vehicle” chapter starting at Page 8 of this manual)
- Test of lights: Tail, Stop, Turn
- Safety breakaway switch cable fastened to tow vehicle, not to safety chains (see the “Coupling to the Tow Vehicle” chapter starting at Page 8 of this manual)
- Cargo properly loaded, balanced and tied down (see the “Loading the Trailer” chapter starting at page 20 of this manual)
- Tongue weight
- Doors and gates latched and secured
- Fire extinguisher
- Flares and reflectors

4.2. MAKE REGULAR STOPS

After every 100 kilometers (60 miles), or one hour of towing, stop and check the following items:

- Coupler secured
- Safety chains are fastened and not dragging
- Cargo secured
- Cargo door latched and secured

5. BREAKING-IN A NEW TRAILER

5.1. RETIGHTEN LUG NUTS AT FIRST 25, 50 AND 100 KILOMETERS (15, 30, 60 MILES)

Wheel lugs can shift and settle quickly after being first assembled, and must be checked after the **first** 25, 50 and 100 kilometers (15, 30, 60 miles) of driving. Failure to perform this check may result in a wheel coming loose from the trailer, causing a crash leading to death or serious injury.

^ WARNING

Lug nuts are prone to loosen after initial installation, which can lead to death or serious injury.

Check lug nuts for tightness on a new trailer or when wheel(s) have been remounted after the first 25, 50 and 100 kilometers (15, 30, 60 miles) of driving.

5.2. ADJUST BRAKE SHOES AT FIRST 300 KILOMETERS (180 MILES)

Brake shoes and drums experience a rapid initial wear. The brakes must be adjusted after the first 300 kilometers (180 miles) of use, and each 5,000 kilometers (3,000 miles) thereafter. Some axles are fitted with a mechanism that will automatically adjust the brake shoes when the trailer is “hard braked” from a forward direction. Read your axle and brake manual to see if your brakes adjust automatically. If you do not have the axle and brake manual, call Southland Trailer Corp. at (403) 327-8212 for a free copy.

A hard stop is used to:

- Confirm that the brakes work;
- Confirm that the trailer brakes are properly synchronized with the tow vehicle brakes; and for many braking systems,
- Automatically adjust the brake shoes.

If your trailer is not fitted with automatically adjusting brakes, the brakes will need to be manually adjusted. See section 6.2.4.2, “Manually Adjusting Brake Shoes,” for instructions.

5.3. SYNCHRONIZING THE BRAKE SYSTEMS

Trailer brakes are designed to work in synchronization with the brakes on the tow vehicle. Do not use either brake system alone to stop the combined tow vehicle and trailer.

When the tow vehicle and trailer braking systems are synchronized, both braking systems contribute to slowing, and the tongue of the trailer will neither dive nor rise sharply.

^ WARNING

If trailer and tow vehicle brakes do not work properly together, death or serious injury can occur.

Road test the brakes in a safe area at no more than 50 km/h (30 mph) before each tow

To insure safe brake performance and synchronization, read and follow the axle/brake and the brake controller manufacturers’ instructions.

6. INSPECTION SERVICE & MAINTENANCE

6.1. INSPECTION, SERVICE & MAINTENANCE SUMMARY CHARTS

Inspection and Service before Each Use		
Item	Inspection / Service	Manual Section Reference
Breakaway Brakes > Electric	Check operation Check fluid level	Sections 2.2.1.5, 2.2.2.4 & 2.2.3.2
Breakaway Battery	Fully charged, connections clean	Sections 2.2.1.5, 2.2.2.4 & 2.2.3.2 Section 6.2.4.3.A.(i)
Brakes, all types	Check operation	Section 5.3
Shoes and Drums	Adjust	Section 5.2 6.2.4.2
Coupler and Hitch Ball	Check for cracks, pits, and flats. Replace w/ball & coupler having trailer GVW Rating. Grease. Check locking device & replace.	Section Section Section & 6.2.5.1
Gooseneck Ball	Check for cracks, pits, and flats. Replace w/ball & coupler having trailer GVW Rating. Grease. Check locking device & replace when worn.	Section 2.2.2.1 Section 2.2.2.1 Section & 6.2.5.2
Fifth Wheel & Kingpin	Check for cracks, Grease. Check locking device & replace when worn.	Section 2.2.3.1 Section 2.2.3.1 Section 2.2.3.1 & 6.2.5.3
Safety Chain(s) & Hooks	Check for wear and damage	Sections 2.2.1.4 & 2.2.2.3
Tires	Check tire pressure when cold. Inflate as needed.	Section 6.2.8
Wheels – Lug Nuts (Bolts) & Hub	Check for tightness Tighten. For new and remounted wheels, check torque after first 25, 50 and 100 kilometers (15, 30, 60 miles) of driving and after any impact	Section 5

Inspection Service & Maintenance

Inspection and Service each 6 Months or 10,000 Kilometers		
Item	Inspection / Service	Manual Section Reference
Tires	Rotate @ 8,000 Kilometers (4,800 miles)	Section 6.2.8
Brakes, electric > Magnets > Controller (in tow vehicle)	Check wear and current draw Check power output (amperage) and modulation	Section 6.2.4.3.C Section 6.2.4.3.B See Controller Mfr's Manual
Structure > Roof Vents > Windows	Clean dirt buildup, lubricate hinges and slides	Section 6.2.2
Tires	Inspect tread and sidewalls thoroughly. Replace tire when treads are worn, when sidewall has a bulge, or sidewall is worn	Section 6.2.8 Section 6.2.8

Inspection Service & Maintenance

Inspection and Service Each Year or 20,000 Kilometers (12,000 miles)		
Item	Inspection / Service	Manual Section Reference
Brakes, all types > Shoes and drums	Check for scoring and wear. Replace per manufacturer's specifications	Section 6.2.4.1 See Brake Mfr's Manual
Jack, Drop-leg	Grease gears at top	See Jack Mfr's Manual
Structure > Frame members > Welds	Inspect all frame members, bolts & rivets. Repair or replace damaged, worn or broken parts. Inspect all welds. Repair as needed Clean dirt build-up. Lubricate slides, shafts and gears	Section 6.2.1 Section 6.2.2.2
Wheels > Sealed Bearings (Hubs) > UNSEALED Bearings (Hubs) > Rims	Check and confirm free running. Replace if not (sealed bearings are not serviceable) Disassemble / inspect / assemble and repack. Replace promptly if immersed in water Inspect for cracks & dents. Replace as needed.	Section 6.2.10 Section 6.2.10.1 See Axle Mfr's Manual Section 6.2.9
Structure > Axle Attachment Bolts	Check BY DEALER	Section 6.2.1

6.2. INSPECTION AND SERVICE
INSTRUCTIONS

6.2.1. Axle Bolts, Frame, Suspension,
& Structure

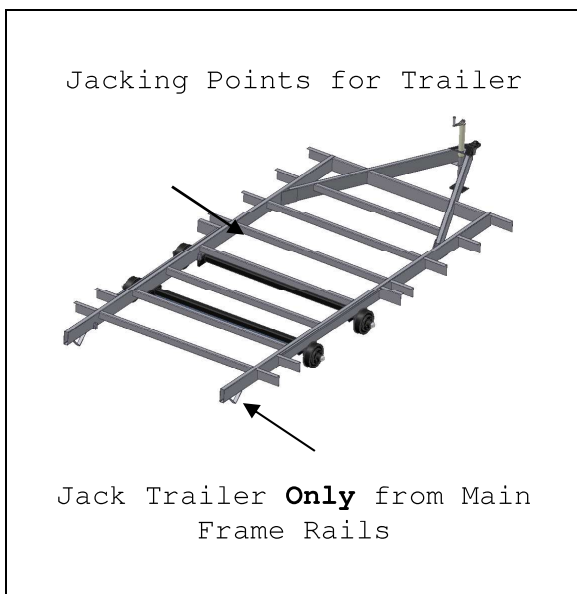
^ WARNING

Worn or broken suspension parts can cause loss of control and injury may result.

Have trailer professionally inspected annually and after any impact.

To perform many of the inspection and maintenance activities, you must jack up the trailer. “Jacking Points for All Trailers” figure indicates the general areas where jacks and jack stands may be applied.

When jacking and using jack stands, place them so as to clear wiring, brake lines, and suspension parts (springs, torsion bars, etc.). Place jacks and jack stands inside of the perimeter strip on the supporting structure to which the axles are attached.



^ WARNING

Never crawl under your trailer unless it is on firm and level ground and resting on properly placed and secured jack stands.

6.2.2. Trailer Structure

Because the trailer floor receives the most abuse, it will most likely wear out before any other part of the structure.

Wash the trailer, at least every three months. Using a power washer and a detergent solution, wash the floor and walls of the trailer. Rinse the trailer floor and walls. Be sure the trailers floor and walls are completely dry before replacing with cargo.

6.2.2.1. Fasteners and Frame Members

Inspect all of the fasteners and structural frame members for bending and other damage, cracks, or failure. Repair or replace any damaged fastener and repair the frame member. If you have any questions about the condition or method of repair of fasteners or frame members, get the recommendation of, or have the repair done by, your dealer.

The various fastener types used on your trailer are:

- Bolts, which are used mainly for attaching door and gate hinges to the trailer body;

^ WARNING

Broken or damaged fasteners or welds can cause injury or damage to trailer and contents.

Inspect for, and repair all damaged parts at least once a year.

6.2.2.2. Welds

All welds can crack or fail when subjected to heavy loads or movement of cargo that was not properly tied to prevent movement. Any time that you know or suspect that the trailer has been subjected to heavy loads or movement of cargo, immediately inspect the welds and fasteners for damage. To prevent severe damage to your trailer, inspect all of the welds for cracks or failure at least once a year.

^ WARNING

Improper weld repair will lead to early failure of the trailer structure and can cause serious injury or death.

Do not repair cracked or broken welds unless you have the skills and equipment to make a proper repair. If not, have the welds repaired by your dealer.

6.2.3. Drop Ramp Torsion Springs

If your trailer has a drop-ramp door, the weight of the door may be partially held by a torsion spring and a cable. Stand to the side when opening the drop ramp. You could be hurt if you are behind the drop ramp and the counterbalance does not work.

Inspect the cable and cable ends regularly for fraying and signs of loosening. If released, a torsion spring can inflict serious injury.

The torsion spring and cable is not user serviceable. A person who is trained in torsion spring safety must service the torsion spring.

6.2.4. Trailer Brakes

6.2.4.1. Brake Shoes and Drums

Properly functioning brake shoes and drums are essential to ensure safety. You must have your dealer inspect these components at least once per year, or each 20,000 kilometers (12,000 miles).

The brake shoes must be adjusted after the first 300 kilometers (180 miles) of use, and each 5,000 kilometers (3,000 miles) thereafter. Most axles are fitted with a brake mechanism that will adjust the brakes during a hard stop. Read your axle and brake manual to see how to adjust your brakes. If you do not have this manual, call Southland Trailer Corp. at (403) 327-8212 for a free copy.

6.2.4.2. Manually Adjusting Brake Shoes

Some braking systems are not automatically adjusted by hard stopping. These brakes require manual adjustment. The following steps apply to adjust most manually adjustable brakes. Read your axle and brake manual to see how to adjust your brakes. If you do not have this manual, call Southland

Trailer Corp. at (403) 327-8212 for a free copy.

1. Jack up the trailer and secure it on adequate capacity jack stands.
2. Be sure the wheel and brake drum rotate freely.
3. Remove the adjusting-hole cover from the adjusting slot on the bottom of the brake backing plate.
4. With a screwdriver or standard adjusting tool, rotate the star-wheel of the adjuster assembly to expand the brake shoes. Adjust the brake shoes out until the pressure of the linings against the drum makes the wheel very difficult to turn. Note: Your trailer maybe equipped with drop spindle axles. See axle manual for your axle type. You will need a modified adjusting tool for adjusting the brakes in these axles. With drop spindle axles, a modified adjusting tool with about an 80 degree angle should be used.
5. Rotate the star-wheel in the opposite direction until the wheel turns freely with a slight drag.
6. Replace the adjusting-hole cover.
7. Repeat the above procedure on all brakes.
8. Lower the trailer to the ground.

6.2.4.3. Brakes, Electric

Two different types of electric brakes may be present on the trailer: an emergency electric breakaway system, which acts only if the trailer comes loose from the hitch and the breakaway pin is pulled. The other brake is an electric braking system that acts whenever the brakes of the tow vehicle are applied.

6.2.4.3.A. BREAKAWAY BRAKE

6.2.4.3.A.(i) BREAKAWAY BATTERY

This battery supplies the power to operate the trailer brakes if the trailer uncouples from the tow vehicle. Be sure to check, maintain and replace the battery according to the battery manufacturer's instructions.

6.2.4.3.A.(ii) BREAKAWAY SWITCH

This switch causes the breakaway battery to operate the electric brakes if the trailer uncouples from the tow vehicle.

The pull cable for the pull pin is connected to the tow vehicle, and the switch is connected to the trailer. To check for proper functioning of the switch, battery and brakes, you must pull the pin from the switch and confirm that the brakes apply to each wheel. You can do this by trying to pull the trailer

with the tow vehicle, after pulling the pin. The trailer brakes may not lock, but you will notice that a greater force is needed to pull the trailer.

^ WARNING

If electric breakaway brakes do not operate when trailer is uncoupled from the tow vehicle, death or serious injury can occur.

Check emergency breakaway brake system BEFORE each tow.

6.2.4.3.B. TOW VEHICLE OPERATED ELECTRIC BRAKES

The electric brakes that operate in conjunction with the tow vehicle brakes must be “synchronized” so that braking is properly distributed to the tow vehicle brakes and the trailer brakes. For proper operation and synchronization, read and follow the axle/brake and the brake controller manufacturers’ instructions. If you do not have these instructions, call Southland Trailer Corp. at (403) 327-8212 for a free copy.

6.2.4.3.C. MAGNETS FOR ALL ELECTRIC BRAKES

To make certain an electrically-operated braking system will function properly, you must have your dealer inspect the magnets at least once a year, or each 20,000 kilometers. See the brake manual for wear and current inspection instructions.

6.2.5. Trailer Connection to Tow Vehicle

6.2.5.1. Coupler and Ball

The coupler on the trailer connects to the ball attached to the hitch on the tow vehicle. The coupler, ball and hitch transfer the towing forces between the tow vehicle and the trailer. Before each tow, coat the ball with a thin layer of automotive bearing grease to reduce wear and ensure proper operation; and check the locking device that secures the coupler to the ball for proper operation.

See the coupler manufacturer’s manual for other inspection and maintenance activities. If you do not have this manual, call Southland Trailer Corp. at (403) 327-8212 for a free copy.

If you see or feel evidence of wear, such as flat spots, deformations, pitting or corrosion, on the ball or coupler, immediately have your dealer inspect them to determine the proper action to prevent possible failure of the ball and coupler system. All bent or broken coupler parts must be replaced before towing the trailer.

The coupler handle lever must be able to rotate freely and automatically snap into the latched position. Oil the pivot points, sliding surfaces, and spring ends with SAE 30W motor oil. Keep the ball pocket and latch mechanism clean. Dirt or contamination can prevent proper operation of the latching mechanism.

When replacing a ball, the load rating must match or exceed the GVWR of the trailer.

6.2.5.2. Gooseneck

The gooseneck receiver on the trailer connects to a hitch-mounted ball on the towing vehicle. The receiver, ball and hitch transfer the towing forces between the tow vehicle and the trailer. Before each tow, coat the ball with a thin layer of automotive bearing grease to reduce wear and ensure proper operation; and check the locking device that secures the receiver to the ball for proper operation.

See the gooseneck ball receiver manufacturer’s manual for other inspection and maintenance activities. If you do not have a manual for the receiver, call Southland Trailer Corp. at (403) 327-8212 for a free copy.

If you see or can feel evidence of wear, such as flat spots, pitting or corrosion, on the ball or receiver, immediately have your dealer inspect them to determine the proper action to prevent possible failure of the ball and receiver system.

When replacing a ball, the load rating must match or exceed the GVWR of the trailer.

6.2.5.3. Fifth Wheel Kingpin

Before each tow, inspect the fifth wheel and kingpin for wear, and coat the contact surface of the fifth wheel plate with water-resistant Lithium-base grease. If you see evidence of wear on the fifth wheel or kingpin, immediately have your dealer inspect them to determine the proper action to prevent failure of the fifth wheel and kingpin system.

See the manual prepared by the manufacturer of the fifth wheel and kingpin for other inspection and maintenance activities. If you do not have this manual, call Southland Trailer Corp. at (403) 327-8212 for a free copy.

6.2.6. Landing Leg or Jack

If a grease fitting is present, you must use a grease gun to lubricate the jack mechanism. Grease the gears in the top of hand-cranked jacks once a year, by removing the top of the jack and pumping or hand packing grease into the gears.

6.2.7. Lights and Signals

Before each tow, check the trailer taillights, stoplights, turn signals and any clearance lights for proper operation.

^ WARNING
Improper operating taillights, stoplights and turn signals can cause collisions. Check all lights before each tow.

6.2.8. Tires

Before each tow, be sure the tire pressure is at the value indicated on the sidewall. Tire pressure must be checked while the tire is cold. Do not check the tire pressure immediately after towing the trailer. Allow at least three hours for a tire to cool, if the trailer has been towed for as much as one mile. Replace the tire before towing the trailer if the tire treads have less than 1/16 inch depth or the telltale bands are visible.

A bubble, cut or bulge in a side wall can result in a tire blowout. Inspect both side walls of each tire for any bubble, cut or bulge; and replace a damaged tire before towing the trailer.

^ WARNING
Worn, damaged or under-inflated tires can cause loss of control, resulting in damage, serious injury and possibly death. Inspect tires before each tow.

6.2.9. Wheel Rims

If the trailer has been struck, or impacted, on or near the wheels, or if the trailer has struck a curb, inspect the rims for damage (i.e. being out of round); and replace any damaged wheel. Inspect the wheels for damage every year, even if no obvious impact has occurred.

6.2.10. Wheels, Bearings and Lug Nuts

A loose, worn or damaged wheel bearing is the most common cause of brakes that grab.

To check your bearings, jack trailer and check wheels for side-to-side looseness. If the wheels are loose, or spin with a wobble, the bearings must be serviced or replaced.

Most trailer axles are built with sealed bearings that are not serviceable. Sealed bearings must be replaced as complete units.

6.2.10.1. Unsealed Bearings (Hubs)

If your trailer has unsealed axle bearings, they must be inspected and lubricated once a year or 20,000 kilometers to insure safe operation of your trailer.

If a trailer wheel bearing is immersed in water, it must be replaced.

If your trailers has not been used for an extended amount of time, have the bearings inspected and packed more frequently, at least every six months and prior to use.

Follow the steps below to disassemble and service the UNSEALED wheel bearings.

- ◆ After removing the grease cap, cotter pin, spindle nut and spindle washer, remove the hub and drum to inspect the bearings for wear and damage.
- ◆ Replace bearings that have flat spots on rollers, broken roller cages, rust or pitting. Always replace bearings and cups in sets. The inner and outer bearings are to be replaced at the same time.
- ◆ Replace seals that have nicks, tears or wear.
- ◆ Lubricate the bearings with a high quality EP-2 automotive wheel bearing grease.

Every time the wheel hub is removed and the bearings are reassembled, follow the steps

Inspection Service & Maintenance

below to check the wheel bearings for free running and adjust.

- ◆ Turn the hub slowly, by hand, while tightening the spindle nut, until you can no longer turn the hub by hand.
- ◆ Loosen the spindle nut just until you are able to turn it (the spindle nut) by hand. Do not turn the hub while the spindle nut is loose.
- ◆ Put a new cotter pin through the spindle nut and axle.
- ◆ Check the adjustments. Both the hub and the spindle nut should be able to move freely (the spindle nut motion will be limited by the cotter pin).

6.2.11. Cleaning

It is important that after every use to clean your trailer inside and out. Remove all garbage and waste. Using a power washer and a detergent solution, wash the trailer inside and outside including the floors and walls of the trailer. This will remove any salt, dust or corrosive material that may stick to your trailer during travel. Thoroughly rinse the trailer floors and walls. Either before or after washing grease and/or lubricate all hinges and latches.

6.2.12. Lug Nuts (Bolts)

Lug nuts are prone to loosen right after a wheel is mounted to a hub. When driving on a remounted wheel, check to see if the lug nuts are tight after the first 25, 50 and 100

kilometers (15, 30, 60 miles) of driving and before each tow thereafter.

^ WARNING

Lug nuts are prone to loosen after initial installation, which can lead to death or serious injury.

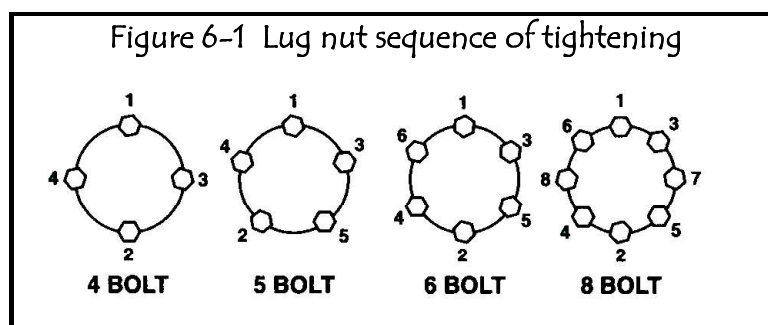
Check lug nuts for tightness on a new trailer or when wheel(s) have been remounted after the first 25, 50 and 100 kilometers (15, 30, 60 miles) of driving.

^ WARNING

Metal creep between the wheel rim and lug nuts will cause rim to loosen and could result in a wheel coming off, leading to death or serious injury.

Tighten lug nuts before each tow.

Tighten the lug nuts to the proper torque for the axle size on your trailer, to prevent wheels from coming loose. Use a torque wrench to tighten the fasteners. If you do not have a torque wrench, tighten the fasteners with a lug wrench as much as you can, then have a service garage or dealer tighten the lug nuts to the proper torque. Over-tightening will result in breaking the studs or permanently deforming the mounting stud holes in the wheels.



Inspection Service & Maintenance

Lug Nut Torque - Steel Wheels		
Axle Rating Pounds	Stud Size	Torque Foot-pounds
3,500 to 7,000	½ inch	80 to 95
8,000	9/16 inch	120 to 140
9,000	5/8 inch	175 to 225
10,000	5/8 inch flanged	275 to 325
12,000	¾ inch flanged	375 to 425

Lug Nut Torque - Aluminum Wheels		
Rim Size	Stud Size	Torque Foot-pounds
15 inch (5 or 6 hole)	½ inch	65 to 75
16 inch (8 hole)	½ inch	65 to 75